

PLEASE CHECK WWW.MOLEX.COM FOR LATEST PART INFORMATION

Part Number: [0719730316](#)
Status: **Active**
Overview: [cgrid_sl_products](#)
Description: 2.54mm (.100") Pitch C-Grid® PCB Connector, Dual Row, Right Angle, Early Entry Receptacle, without Flange, 32 Circuits

Documents:

[3D Model](#) [Product Specification PS-71973-9999 \(PDF\)](#)
[Drawing \(PDF\)](#) [RoHS Certificate of Compliance \(PDF\)](#)

Agency Certification

CSA LR19980
 UL E29179

General

Product Family PCB Receptacles
 Series [71973](#)
 Application Board-to-Board
 Overview [cgrid_sl_products](#)
 Product Name C-Grid®

Physical

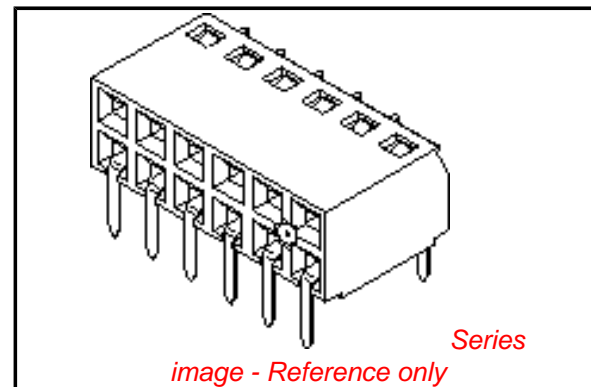
Circuits (Loaded) 32
 Color - Resin Black
 Durability (mating cycles max) 50
 Flammability 94V-0
 Glow-Wire Compliant No
 Material - Metal Phosphor Bronze
 Material - Plating Mating Gold
 Material - Plating Termination Tin
 Material - Resin High Temperature Thermoplastic
 Number of Rows 2
 Orientation Right Angle
 PC Tail Length (in) 0.120 In
 PC Tail Length (mm) 3.05 mm
 PCB Locator No
 PCB Retention None
 PCB Thickness Recommended (in) 0.062 In
 PCB Thickness Recommended (mm) 1.60 mm
 Packaging Type Tube
 Pitch - Mating Interface (in) 0.100 In
 Pitch - Mating Interface (mm) 2.54 mm
 Plating min: Mating (µin) 30
 Plating min: Mating (µm) 0.76
 Plating min: Termination (µin) 75
 Plating min: Termination (µm) 1.90
 Polarized to PCB No
 Temperature Range - Operating -40°C to +105°C
 Termination Interface: Style Through Hole

Electrical

Current - Maximum per Contact 2A
 Voltage - Maximum 250V

Solder Process Data

Duration at Max. Process Temperature (seconds) 10
 Lead-free Process Capability Wave Capable (TH only)



EU RoHS

ELV and RoHS Compliant
REACH SVHC Contains SVHC: No
Halogen-Free Status Not Reviewed

China RoHS



Need more information on product environmental compliance?

Email productcompliance@molex.com
 For a multiple part number RoHS Certificate of Compliance, [click here](#)

Please visit the [Contact Us](#) section for any non-product compliance questions.

Search Parts in this Series

[71973Series](#)

Mates With

[87911 Header](#)

| | |
|---|-----|
| Max. Cycles at Max. Process Temperature | 3 |
| Process Temperature max. C | 260 |

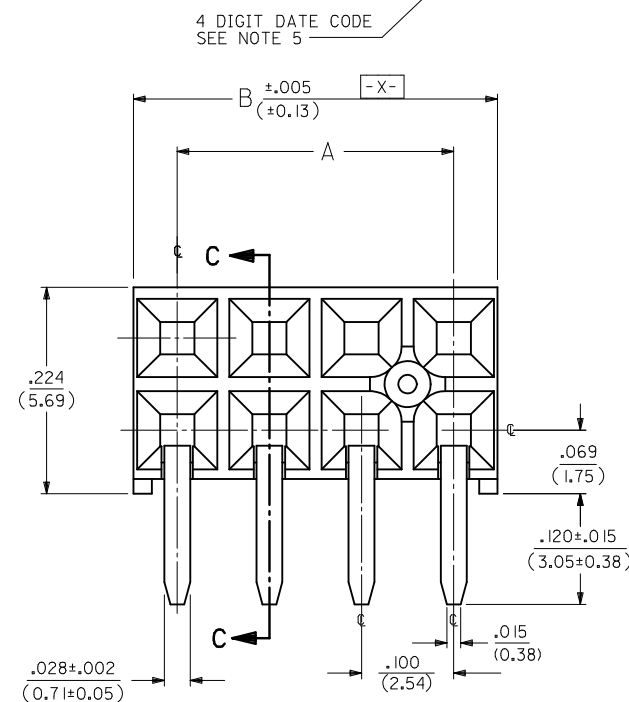
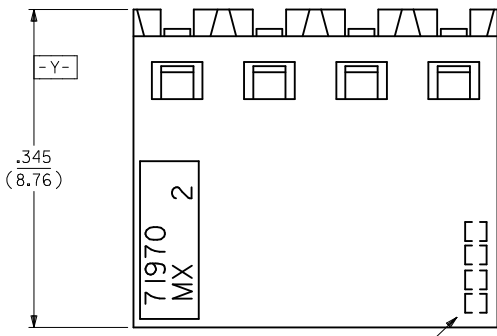
Material Info

Reference - Drawing Numbers

| | |
|-----------------------|----------------|
| Product Specification | PS-71973-9999 |
| Sales Drawing | SDA-71973-**** |

This document was generated on 05/21/2010

PLEASE CHECK WWW.MOLEX.COM FOR LATEST PART INFORMATION



⊕ ⊕ .015 ⊕ TAIL TO TAIL
 ⊕ ⊕ .020 ⊕ X ⊕ Y ⊕ TAIL TO INSULATOR

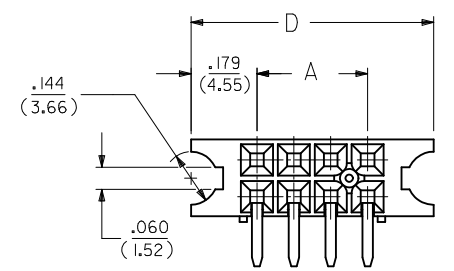
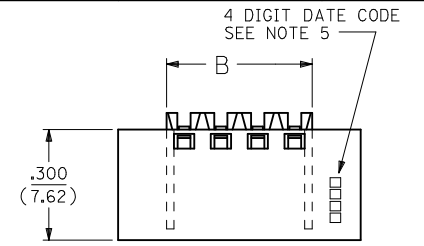
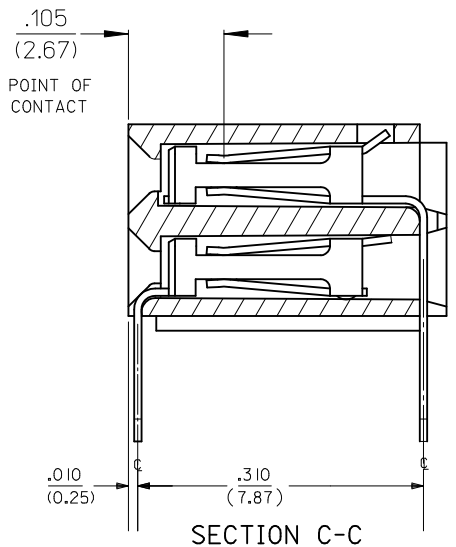
OPTION "A" ASSEMBLY
 STANDARD HOUSING

NOTE FOR LEAD FREE CONVERSION:
 THE PRIMARY SHIPPING CARTON WILL BE LABELED "COMPLIANT TO ROHS DIRECTIVE 2002/95/EC AND ELV ANNEX II OF DIRECTIVE 2000/53/EC". CARTONS WITHOUT THIS LABEL MAY CONTAIN PRODUCT WITH LEAD.

- NOTES:**
- 1.) MATERIAL -
 INSULATOR - LCP, UL 94V-0, COLOR BLACK
 CONTACTS - PHOSPHOR BRONZE
 - 2.) SEE SHT. 5 & 6 FOR CHART DIMENSIONS AND EDP NO.'S
 - 3.) RECOMMENDED MATING PIN LENGTH:
 LOWER ROW - .200" MIN., .285" MAX.
 UPPER ROW - .200" MIN.
 - 4.) REFER TO PRODUCT SPECIFICATION PS-71973-9999 FOR PERFORMANCE DATA
 - 5.) MANUFACTURED DATE CODE - YEAR, WEEK.
 - 6.) PACKAGING: FOR THIS PRODUCT IN TUBES SEE SHT. 6 & 7
 FOR THIS PRODUCT IN TRAYS SEE SHT. 8 & 9

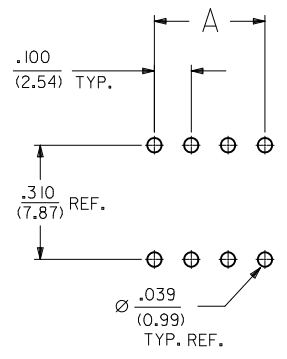
FINISHES

- 15 GOLD .000015 MINIMUM GOLD PLATE IN SELECT AREA OVER
 .000050 MINIMUM NICKEL UNDERPLATE OVER-ALL WITH
 .000075 MINIMUM TIN PLATE IN SELECT AREA.
- 30 GOLD .000030 MINIMUM GOLD PLATE IN SELECT AREA OVER
 .000050 MINIMUM NICKEL UNDERPLATE OVER-ALL WITH
 .000075 MINIMUM TIN PLATE IN SELECT AREA.
- 50 GOLD .000050 MINIMUM GOLD PLATE IN SELECT AREA OVER
 .000050 MINIMUM NICKEL UNDERPLATE OVER-ALL WITH
 .000100 MINIMUM TIN PLATE IN SELECT AREA.



OPTION "B" ASSEMBLY
 STD. HOUSING W/MOUNTING EARS
 SCALE 4:1
 REFER TO OPT. A FOR ALL OTHER INFORMATION

OPTION "J" ASSEMBLY
 OPTION "J" IS THE SAME AS OPTION "B" EXCEPT
 DATE CODE IS NOT STAMPED ON HOUSING.

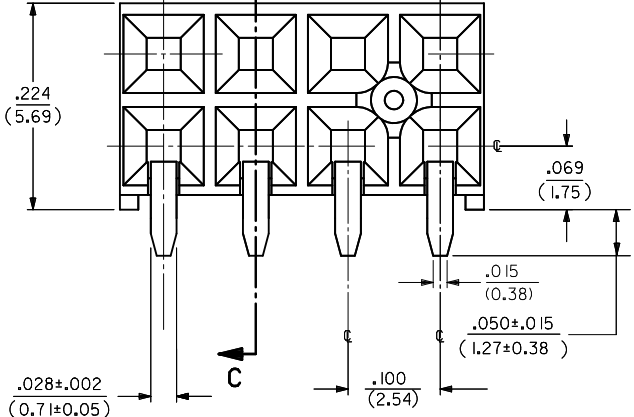
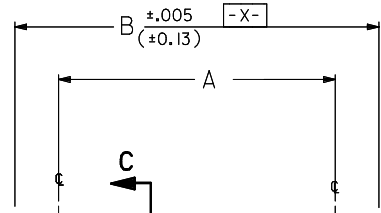


RECOMMENDED P.C.B. LAYOUT

| ADD OPTION K & L EC NO: S2010-0534 DRWN:SKANG 2009/12/30 CHKD:ATSEE 2010/01/08 APPR:MLONG 2010/01/14 | QUALITY SYMBOLS $F_A = 0$ $F_C = 0$ $F_P = 0$ | GENERAL TOLERANCES (UNLESS SPECIFIED) | | DIMENSION STYLE IN/MM | | SCALE NTS | | DESIGN UNITS INCH | | THIRD ANGLE PROJECTION | | | | | | | | | | | | | | | | | | |
|--|--|---|-------|--------------------------|----|----------------------|----------|--|-------|--------------------------------|-------|--------|----------|--------|-------|---------|-------|-------|-----------------|--|--------------------|--|--|--|--------------------|--|----------------------|--|
| | | <table border="1"> <thead> <tr> <th></th> <th>mm</th> <th>INCH</th> </tr> </thead> <tbody> <tr> <td>4 PLACES</td> <td>± ---</td> <td>± ---</td> </tr> <tr> <td>3 PLACES</td> <td>± ---</td> <td>± .010</td> </tr> <tr> <td>2 PLACES</td> <td>± 0.25</td> <td>± ---</td> </tr> <tr> <td>1 PLACE</td> <td>± ---</td> <td>± ---</td> </tr> </tbody> </table> | | | mm | INCH | 4 PLACES | ± --- | ± --- | 3 PLACES | ± --- | ± .010 | 2 PLACES | ± 0.25 | ± --- | 1 PLACE | ± --- | ± --- | DRAWN BY DJB | | DATE 1991/10/21 | | TITLE EARLY ENTRY R/A RECPT .120"PC TAIL W/O LOWER ROW PINSTOP-.100" GRID | | MOLEX INCORPORATED | | SHEET NO. 1 OF 26 | |
| | | | mm | INCH | | | | | | | | | | | | | | | | | | | | | | | | |
| | | 4 PLACES | ± --- | ± --- | | | | | | | | | | | | | | | | | | | | | | | | |
| 3 PLACES | ± --- | ± .010 | | | | | | | | | | | | | | | | | | | | | | | | | | |
| 2 PLACES | ± 0.25 | ± --- | | | | | | | | | | | | | | | | | | | | | | | | | | |
| 1 PLACE | ± --- | ± --- | | | | | | | | | | | | | | | | | | | | | | | | | | |
| ANGULAR ± 1/2° | | CHECKED BY DJB | | DATE 1991/10/21 | | APPROVED BY MLONG | | DATE 2010/01/14 | | DOCUMENT NO. SDA-71973-**** | | | | | | | | | | | | | | | | | | |
| DRAFT WHERE APPLICABLE MUST REMAIN WITHIN DIMENSIONS | | SEE TABLE | | MATERIAL NO. | | SIZE A3 | | THIS DRAWING CONTAINS INFORMATION THAT IS PROPRIETARY TO MOLEX INCORPORATED AND SHOULD NOT BE USED WITHOUT WRITTEN PERMISSION | | | | | | | | | | | | | | | | | | | | |



4 DIGIT DATE CODE
SEE NOTE 5



⊕ ∅ .015 (S) TAIL TO TAIL
⊕ ∅ .020 (S) X (S) Y (S) TAIL TO INSULATOR

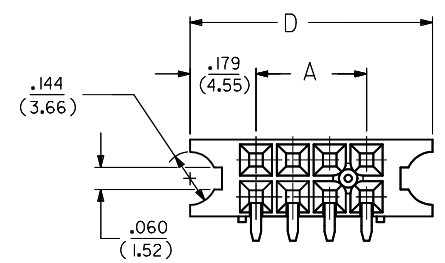
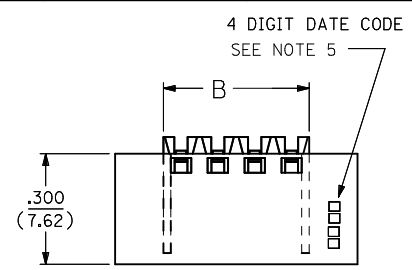
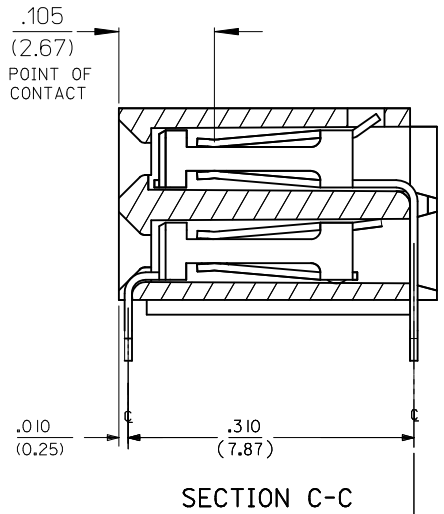
OPTION "C" ASSEMBLY
STANDARD HOUSING

NOTE FOR LEAD FREE CONVERSION:
THE PRIMARY SHIPPING CARTON WILL BE
LABELED "COMPLIANT TO RoHS DIRECTIVE
2002/95/EC AND ELV ANNEX II OF
DIRECTIVE 2000/53/EC". CARTONS WITHOUT
THIS LABEL MAY CONTAIN PRODUCT WITH
LEAD.

- NOTES:**
- MATERIAL-
INSULATOR - LCP, UL 94V-0, COLOR BLACK
CONTACTS - PHOSPHOR BRONZE
 - SEE SHT. 9 & 10 FOR CHART DIMENSIONS AND EDP NO.'S
 - RECOMMENDED MATING PIN LENGTH:
LOWER ROW - .200" MIN., .285" MAX.
UPPER ROW - .200" MIN.
 - REFER TO PRODUCT SPECIFICATION PS-71973-9999 FOR PERFORMANCE DATA
 - MANUFACTURED DATE CODE - YEAR, WEEK.
 - PACKAGING: FOR THIS PRODUCT IN TUBES SEE SHT. 10 & 11
FOR THIS PRODUCT IN TRAYS SEE SHT. 12 & 13

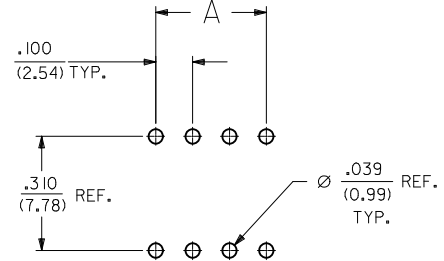
FINISHES

- 15 GOLD .000015 MINIMUM GOLD PLATE IN SELECT AREA OVER
.000050 MINIMUM NICKEL UNDERPLATE OVER-ALL WITH
.000075 MINIMUM TIN PLATE IN SELECT AREA.
- 30 GOLD .000030 MINIMUM GOLD PLATE IN SELECT AREA OVER
.000050 MINIMUM NICKEL UNDERPLATE OVER-ALL WITH
.000075 MINIMUM TIN PLATE IN SELECT AREA.
- 50 GOLD .000050 MINIMUM GOLD PLATE IN SELECT AREA OVER
.000050 MINIMUM NICKEL UNDERPLATE OVER-ALL WITH
.000100 MINIMUM TIN PLATE IN SELECT AREA.



OPTION "D" ASSEMBLY
STD. HOUSING W/MOUNTING EARS
SCALE 4:1

REFER TO OPT. C FOR ALL OTHER INFORMATION

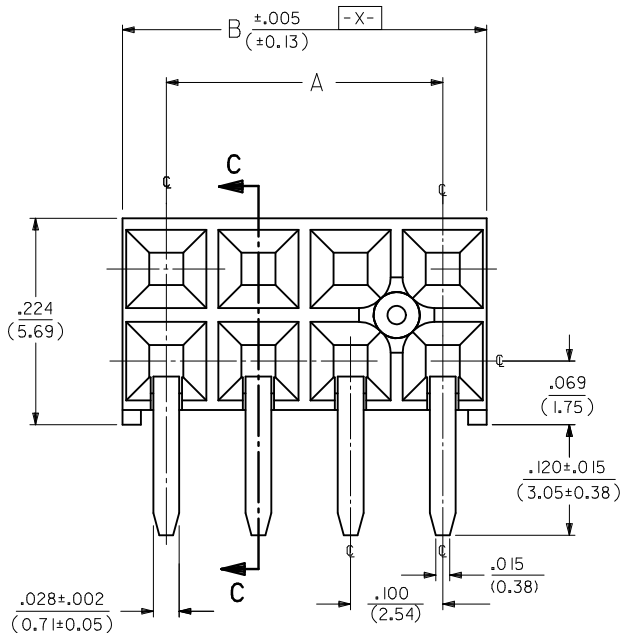


RECOMMENDED P.C.B. LAYOUT

| | | | | | | |
|--|--|---|--|--|---|----------------------|
| ADD OPTION K & L EC NO: S2010-0534 DRWN:SKANG 2009/12/30 CHKD:ATSEE 2010/01/08 APPR:MLONG 2010/01/14 | QUALITY SYMBOLS $F_A = 0$ $F_E = 0$ $F_P = 0$ | GENERAL TOLERANCES (UNLESS SPECIFIED) mm INCH 4 PLACES ± --- ± --- 3 PLACES ± --- ± .010 2 PLACES ± 0.25 ± --- 1 PLACE ± --- ± --- ANGULAR ± 1/2° | DIMENSION STYLE IN/MM DRAWN BY DATE DJB 1991/10/21 CHECKED BY DATE DJB 1991/10/21 APPROVED BY DATE MLONG 2010/01/14 | SCALE NTS DESIGN UNITS INCH THIRD ANGLE PROJECTION | TITLE EARLY ENTRY R/A RECPT .120" PC TAIL W/O LOWER ROW PINSTOP-.100" GRID MOLEX INCORPORATED DOCUMENT NO. SDA-71973-**** | SHEET NO. 2 OF 26 |
| | DRAFT WHERE APPLICABLE MUST REMAIN WITHIN DIMENSIONS | MATERIAL NO. SEE TABLE | SIZE A3 THIS DRAWING CONTAINS INFORMATION THAT IS PROPRIETARY TO MOLEX INCORPORATED AND SHOULD NOT BE USED WITHOUT WRITTEN PERMISSION | | | |
| | REV K | DESCRIPTION | | | | |
| | ADD OPTION K & L EC NO: S2010-0534 DRWN:SKANG 2009/12/30 CHKD:ATSEE 2010/01/08 APPR:MLONG 2010/01/14 | | | | | |



4 DIGIT DATE CODE
SEE NOTE 5



- ⊕ ∅ .015 ⊕ TAIL TO TAIL
- ⊕ ∅ .020 ⊕ X ⊕ Y ⊕ TAIL TO INSULATOR

OPTION "E" ASSEMBLY
STANDARD HOUSING

NOTE FOR LEAD FREE CONVERSION:

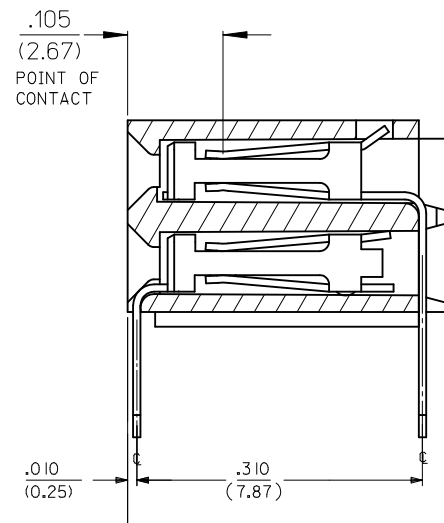
THE PRIMARY SHIPPING CARTON WILL BE LABELED "COMPLIANT TO ROHS DIRECTIVE 2002/95/EC AND ELV ANNEX II OF DIRECTIVE 2000/53/EC". CARTONS WITHOUT THIS LABEL MAY CONTAIN PRODUCT WITH LEAD.

NOTES:

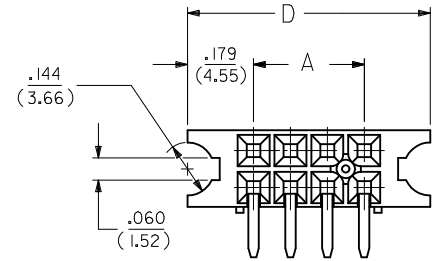
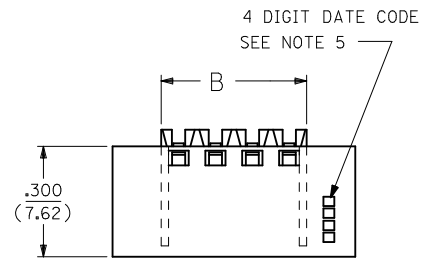
- 1.) MATERIAL -
INSULATOR - LCP, UL 94V-0, COLOR BLACK
CONTACTS - PHOSPHOR BRONZE
- 2.) SEE SHT. 13 & 14 FOR CHART DIMENSIONS AND EDP NO.'S
- 3.) RECOMMENDED MATING PIN LENGTH:
LOWER ROW - .200" MIN., .250" MAX.
UPPER ROW - .200" MIN.
- 4.) REFER TO PRODUCT SPECIFICATION PS-71973-9999 FOR PERFORMANCE DATA
- 5.) MANUFACTURED DATE CODE - YEAR, WEEK.
- 6.) PACKAGING: FOR THIS PRODUCT IN TUBES SEE SHT. 14 & 15
FOR THIS PRODUCT IN TRAYS SEE SHT. 16 & 17

FINISHES

- 15 GOLD .000015 MINIMUM GOLD PLATE IN SELECT AREA OVER .000050 MINIMUM NICKEL UNDERPLATE OVER-ALL WITH .000075 MINIMUM TIN PLATE IN SELECT AREA.
- 30 GOLD .000030 MINIMUM GOLD PLATE IN SELECT AREA OVER .000050 MINIMUM NICKEL UNDERPLATE OVER-ALL WITH .000075 MINIMUM TIN PLATE IN SELECT AREA.
- 50 GOLD .000050 MINIMUM GOLD PLATE IN SELECT AREA OVER .000050 MINIMUM NICKEL UNDERPLATE OVER-ALL WITH .000100 MINIMUM TIN PLATE IN SELECT AREA.

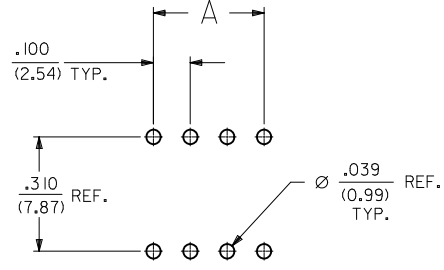


SECTION C-C



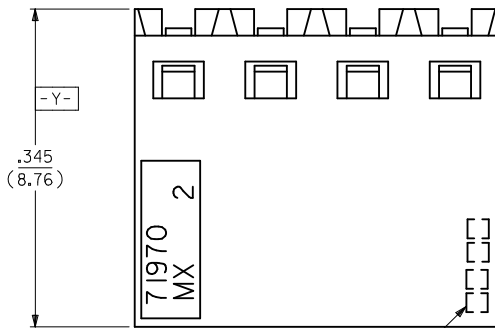
OPTION "F" ASSEMBLY
STD. HOUSING W/MOUNTING EARS
AND LOWER ROW PINSTOP
SCALE 4:1

REFER TO OPT. E FOR ALL OTHER INFORMATION

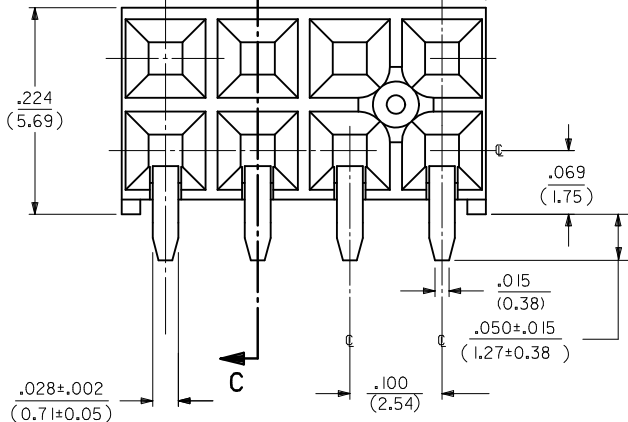
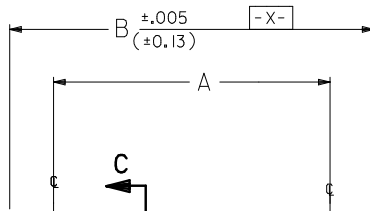


RECOMMENDED P.C.B. LAYOUT

| | | | | | | | |
|--|-------------------------------------|---|---|-----------------|---|--|------------------------|
| ADD OPTION K & L EC NO: S2010-0534 DRWN:SKANG 2009/12/30 CHKD:ATSEE 2010/01/08 APPR:MLONG 2010/01/14 | QUALITY SYMBOLS | GENERAL TOLERANCES (UNLESS SPECIFIED) | | DIMENSION STYLE | SCALE | DESIGN UNITS | THIRD ANGLE PROJECTION |
| | $F_A = 0$ $F_G = 0$ $F_P = 0$ | mm INCH 4 PLACES ± --- ± --- 3 PLACES ± --- ± .010 2 PLACES ± 0.25 ± --- 1 PLACE ± --- ± --- ANGULAR ± 1/2° | IN/MM | NTS | INCH | ☉ ☐ THIRD ANGLE PROJECTION | |
| | | DRAWN BY: DJB DATE: 1991/10/21 | TITLE: EARLY ENTRY R/A RECPT .120"PC TAIL W/O LOWER ROW PINSTOP-.100" GRID | | | MOLEX MOLEX INCORPORATED | |
| | | CHECKED BY: DJB DATE: 1991/10/21 | | | | DOCUMENT NO. SDA-71973-**** SHEET NO. 3 OF 26 | |
| | | APPROVED BY: MLONG DATE: 2010/01/14 | | | THIS DRAWING CONTAINS INFORMATION THAT IS PROPRIETARY TO MOLEX INCORPORATED AND SHOULD NOT BE USED WITHOUT WRITTEN PERMISSION | | |



4 DIGIT DATE CODE
SEE NOTE 5



⊕ ∅ .015 ⊕ TAIL TO TAIL
⊕ ∅ .020 ⊕ X ⊕ Y ⊕ TAIL TO INSULATOR

OPTION "G" ASSEMBLY
STANDARD HOUSING

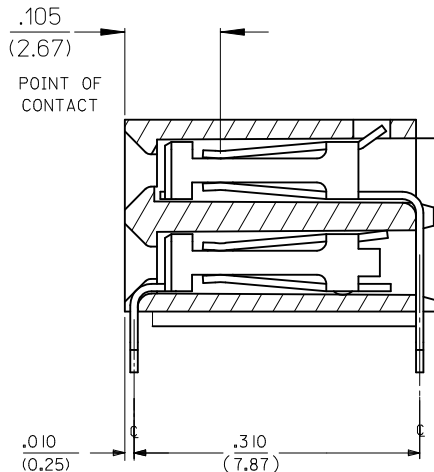
NOTE FOR LEAD FREE CONVERSION:

THE PRIMARY SHIPPING CARTON WILL BE LABELED *COMPLIANT TO RoHS DIRECTIVE 2002/95/EC AND ELV ANNEX II OF DIRECTIVE 2000/53/EC*. CARTONS WITHOUT THIS LABEL MAY CONTAIN PRODUCT WITH LEAD.

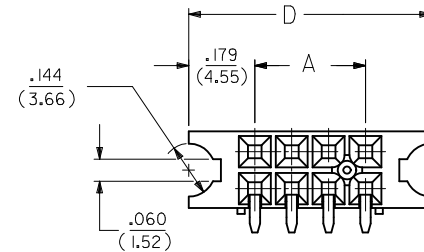
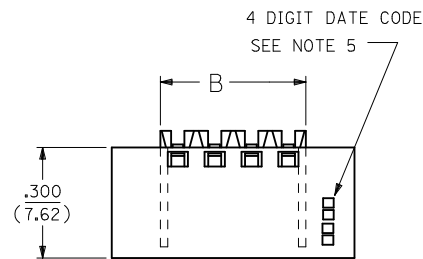
- NOTES:**
- MATERIAL -
INSULATOR - LCP, UL 94V-0, COLOR BLACK
CONTACTS - PHOSPHOR BRONZE
 - SEE SHT. 17 & 18 FOR CHART DIMENSIONS AND EDP NO.'S
 - RECOMMENDED MATING PIN LENGTH:
LOWER ROW - .200" MIN., .250" MAX.
UPPER ROW - .200" MIN.
 - REFER TO PRODUCT SPECIFICATION PS-71973-9999 FOR PERFORMANCE DATA
 - MANUFACTURED DATE CODE - YEAR, WEEK.
 - PACKAGING: FOR THIS PRODUCT IN TUBES SEE SHT. 18 & 19
FOR THIS PRODUCT IN TRAYS SEE SHT. 20 & 21

FINISHES

- 15 GOLD .000015 MINIMUM GOLD PLATE IN SELECT AREA OVER .000050 MINIMUM NICKEL UNDERPLATE OVER-ALL WITH .000075 MINIMUM TIN PLATE IN SELECT AREA.
- 30 GOLD .000030 MINIMUM GOLD PLATE IN SELECT AREA OVER .000050 MINIMUM NICKEL UNDERPLATE OVER-ALL WITH .000075 MINIMUM TIN PLATE IN SELECT AREA.
- 50 GOLD .000050 MINIMUM GOLD PLATE IN SELECT AREA OVER .000050 MINIMUM NICKEL UNDERPLATE OVER-ALL WITH .000100 MINIMUM TIN PLATE IN SELECT AREA.

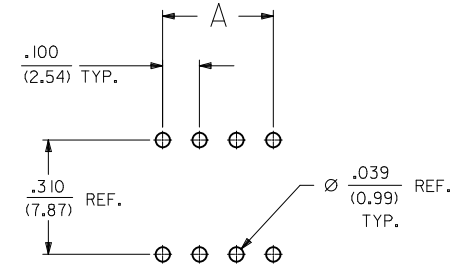


SECTION C-C



OPTION "H" ASSEMBLY
STD. HOUSING W/MOUNTING EARS
AND LOWER PINSTOP
SCALE 4:1

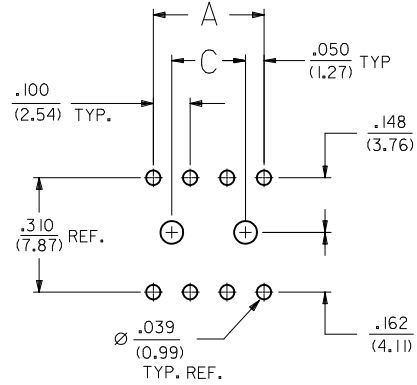
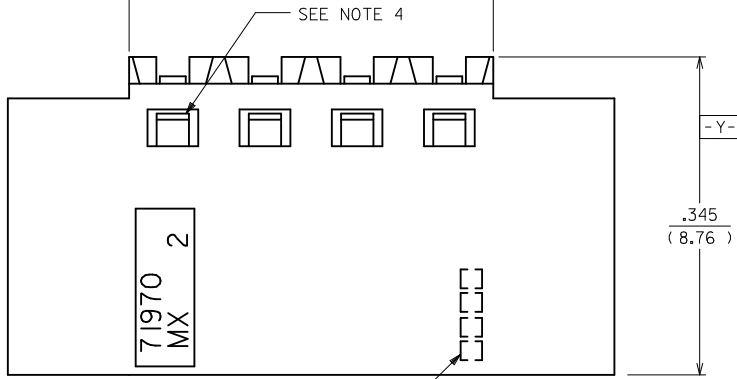
REFER TO OPT. G FOR ALL OTHER INFORMATION



RECOMMENDED P.C.B. LAYOUT

| | | | | | | |
|---|--|---|--|--|---|--|
| ADD OPTION K & L EC NO: S2010-0534 DRWN:SKANG 2009/12/30 CHKD:ATSEE 2010/01/08 APPR:MLONG 2010/01/14 | QUALITY SYMBOLS $F_A = 0$ $F_G = 0$ $F_P = 0$ | GENERAL TOLERANCES (UNLESS SPECIFIED) mm INCH 4 PLACES ± --- ± --- 3 PLACES ± --- ± .010 2 PLACES ± 0.25 ± --- 1 PLACE ± --- ± --- ANGULAR ± 1/2° | DIMENSION STYLE IN/MM DRAWN BY DATE DJB 1991/10/21 CHECKED BY DATE DJB 1991/10/21 APPROVED BY DATE MLONG 2010/01/14 | SCALE NTS DESIGN UNITS INCH THIRD ANGLE PROJECTION | TITLE EARLY ENTRY R/A RECPT .120" PC TAIL W/O LOWER ROW PINSTOP-.100" GRID MOLEX INCORPORATED DOCUMENT NO. SDA-71973-**** SHEET NO. 4 OF 26 | |
| | DRAFT WHERE APPLICABLE MUST REMAIN WITHIN DIMENSIONS | MATERIAL NO. SEE TABLE SIZE A3 | THIS DRAWING CONTAINS INFORMATION THAT IS PROPRIETARY TO MOLEX INCORPORATED AND SHOULD NOT BE USED WITHOUT WRITTEN PERMISSION | | | |
| | REV K | DESCRIPTION | MOLEX INCORPORATED | | | |
| | ADD OPTION K & L | | MOLEX INCORPORATED | | | |

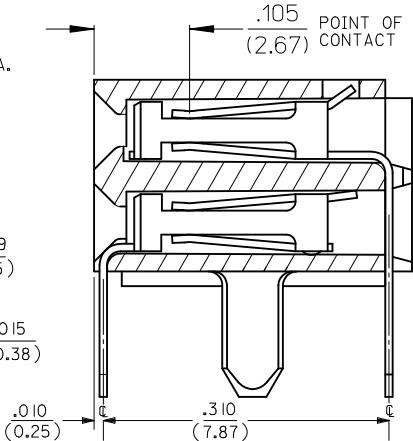
10 9 8 7 6 5 4 3 2 1



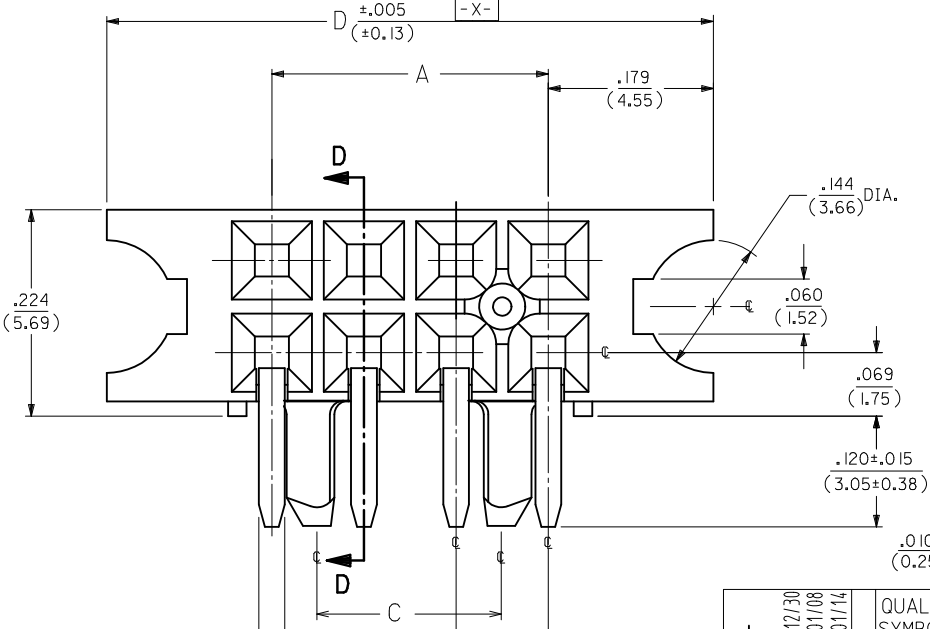
RECOMMENDED P.C.B. LAYOUT

SCALE 4:1

SECTION D-D



NOTE FOR LEAD FREE CONVERSION:
THE PRIMARY SHIPPING CARTON WILL BE LABELED "COMPLIANT TO RoHS DIRECTIVE 2002/95/EC AND ELV ANNEX II OF DIRECTIVE 2000/53/EC". CARTONS WITHOUT THIS LABEL MAY CONTAIN PRODUCT WITH LEAD.



TAIL TO TAIL
TAIL TO INSULATOR
(SEE NOTE 7)

OPTION "I" ASSEMBLY

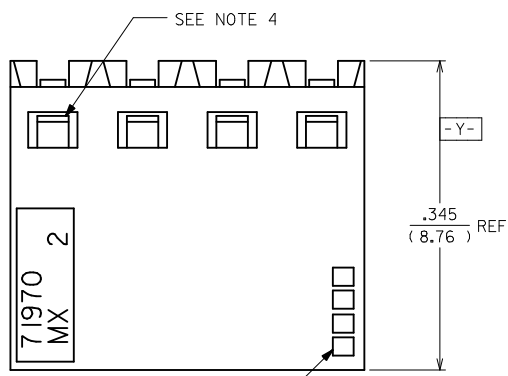
STANDARD HOUSING W/ PEGS AND MOUNTING EARS

| | | |
|------------------|-------------------|------------|
| ADD OPTION K & L | EC NO: S2010-0534 | 2009/12/30 |
| | DRWN:SKANG | 2010/01/08 |
| | CHKD:ATSEE | 2010/01/14 |
| | APPR:MLONG | |
| DESCRIPTION | | |
| REV | | |

| | |
|---------------------------------------|--|
| QUALITY SYMBOLS | $F_A=0$ |
| | $F_C=0$ |
| GENERAL TOLERANCES (UNLESS SPECIFIED) | ANGULAR ±1/2° |
| | DRAFT WHERE APPLICABLE MUST REMAIN WITHIN DIMENSIONS |

| | | | | |
|-----------------|--------------|---|--------------|------------------------|
| DIMENSION STYLE | | SCALE | DESIGN UNITS | THIRD ANGLE PROJECTION |
| IN/MM | | NTS | INCH | |
| DRAWN BY | DATE | TITLE | | |
| DJB | 1991/10/21 | EARLY ENTRY R/A RECPT | | |
| CHECKED BY | DATE | .120"PC TAIL W/O LOWER ROW PINSTOP-.100" GRID | | |
| DJB | 1991/10/21 | MOLEX INCORPORATED | | |
| APPROVED BY | DATE | SDA-71973-**** | | |
| MLONG | 2010/01/14 | 5 OF 26 | | |
| MATERIAL NO. | DOCUMENT NO. | THIS DRAWING CONTAINS INFORMATION THAT IS PROPRIETARY TO MOLEX INCORPORATED AND SHOULD NOT BE USED WITHOUT WRITTEN PERMISSION | | |
| SEE TABLE | | | | |
| SIZE A3 | | | | |

9 8 7 6 5 4 3 2 1



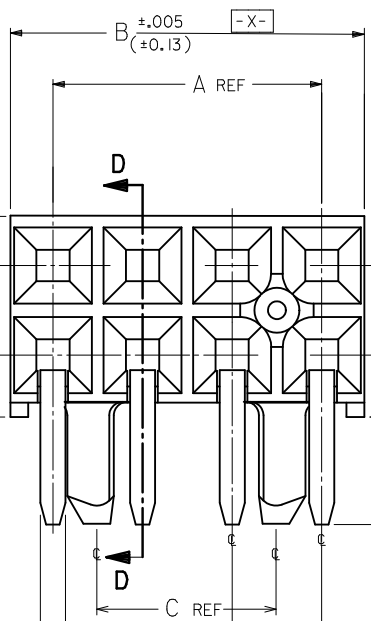
4 DIGIT DATE CODE
SEE NOTE 5

FINISHES

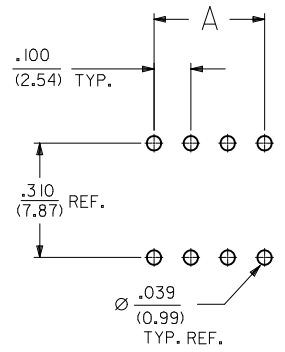
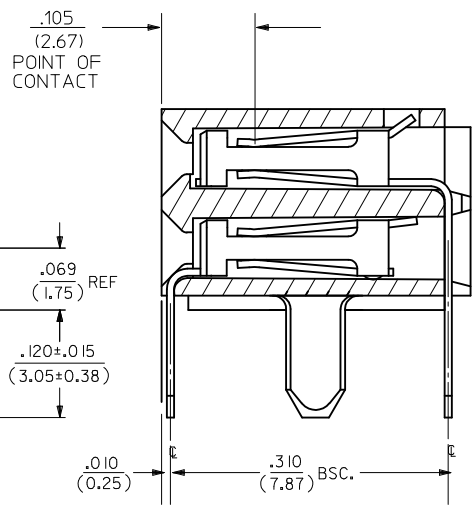
- 15 GOLD .000015 MINIMUM GOLD PLATE IN SELECT AREA OVER
.000050 MINIMUM NICKEL UNDERPLATE OVER-ALL WITH
.000075 MINIMUM TIN PLATE IN SELECT AREA.
- 30 GOLD .000030 MINIMUM GOLD PLATE IN SELECT AREA OVER
.000050 MINIMUM NICKEL UNDERPLATE OVER-ALL WITH
.000075 MINIMUM TIN PLATE IN SELECT AREA.
- 50 GOLD .000050 MINIMUM GOLD PLATE IN SELECT AREA OVER
.000050 MINIMUM NICKEL UNDERPLATE OVER-ALL WITH
.000100 MINIMUM TIN PLATE IN SELECT AREA.

NOTES:

- 1.) MATERIAL -
INSULATOR - LCP, UL 94V-0, COLOR BLACK
CONTACTS - PHOSPHOR BRONZE
- 2.) SEE SHT. 25 FOR CHART DIMENSIONS AND ITEM NO.'S
- 3.) RECOMMENDED MATING PIN LENGTH:
LOWER ROW - .200" MINIMUM, .285" MAX.
UPPER ROW - .200" MINIMUM
- 4.) REFER TO PRODUCT SPECIFICATION PS-71973-9999 FOR PERFORMANCE DATA
- 5.) MANUFACTURED DATE CODE - YEAR, WEEK.
- 6.) PACKAGING: FOR THIS PRODUCT IN TUBES SEE SHT. 25



SECTION D-D



RECOMMENDED P.C.B.
LAYOUT

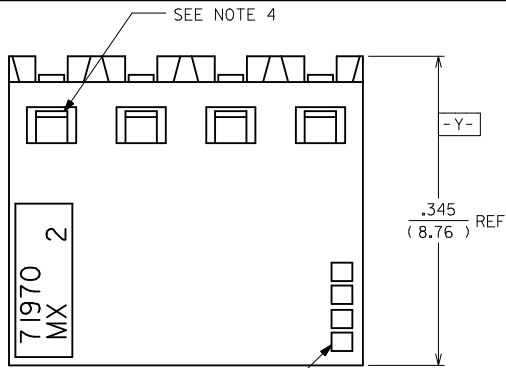
.028±.002
(0.71±0.05)

- ⊕ ⊕ .015 ⊕ TAIL TO TAIL
- ⊕ ⊕ .020 ⊕ X ⊕ Y ⊕ TAIL TO INSULATOR
(SEE NOTE 8)

OPTION "K" ASSEMBLY
STANDARD HOUSING W/ PEGS

| | | | | | | |
|---|-------------------------------|---|---|--------------------|--|------------------------|
| ADD OPTION K & L EC NO: S2010-0534 DRWN:SKANG 2009/12/30 CHYKD:ATSEE 2010/01/08 APPR:MLONG 2010/01/14 | QUALITY SYMBOLS | GENERAL TOLERANCES (UNLESS SPECIFIED) | DIMENSION STYLE | SCALE | DESIGN UNITS | THIRD ANGLE PROJECTION |
| | $F_A=0$ $F_G=0$ $F_P=0$ | mm INCH 4 PLACES ± --- ± --- 3 PLACES ± --- ± .010 2 PLACES ± 0.25 ± --- 1 PLACE ± --- ± --- ANGULAR ± 1/2° | IN/MM | NTS | INCH | |
| | | DRAFT WHERE APPLICABLE MUST REMAIN WITHIN DIMENSIONS | DRAWN BY | DATE | TITLE | |
| | | | CHECKED BY | DATE | EARLY ENTRY R/A RECPT .120"PC TAIL W/O LOWER ROW PINSTOP-.100" GRID | |
| | | APPROVED BY | DATE | MOLEX INCORPORATED | | |
| | | MATERIAL NO. | DOCUMENT NO. | SDA-71973-**** | | |
| | | SIZE | THIS DRAWING CONTAINS INFORMATION THAT IS PROPRIETARY TO MOLEX INCORPORATED AND SHOULD NOT BE USED WITHOUT WRITTEN PERMISSION | | | |

10 9 8 7 6 5 4 3 2 1

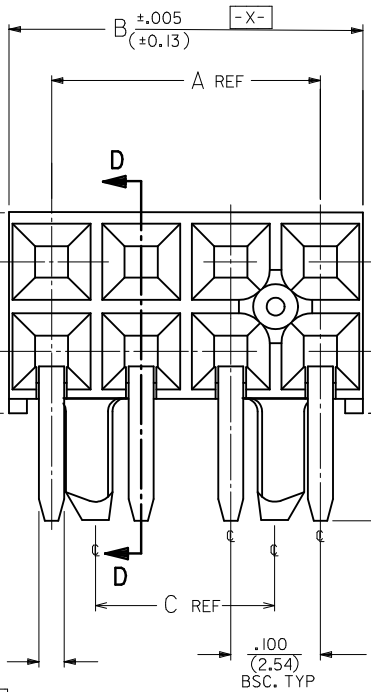


- FINISHES**
- 15 GOLD .000015 MINIMUM GOLD PLATE IN SELECT AREA OVER .000050 MINIMUM NICKEL UNDERPLATE OVER-ALL WITH .000075 MINIMUM TIN PLATE IN SELECT AREA.
 - 30 GOLD .000030 MINIMUM GOLD PLATE IN SELECT AREA OVER .000050 MINIMUM NICKEL UNDERPLATE OVER-ALL WITH .000075 MINIMUM TIN PLATE IN SELECT AREA.
 - 50 GOLD .000050 MINIMUM GOLD PLATE IN SELECT AREA OVER .000050 MINIMUM NICKEL UNDERPLATE OVER-ALL WITH .000100 MINIMUM TIN PLATE IN SELECT AREA.

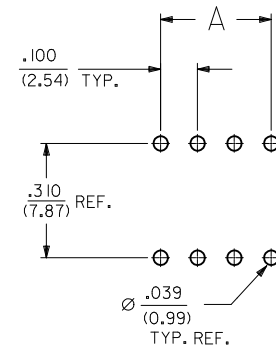
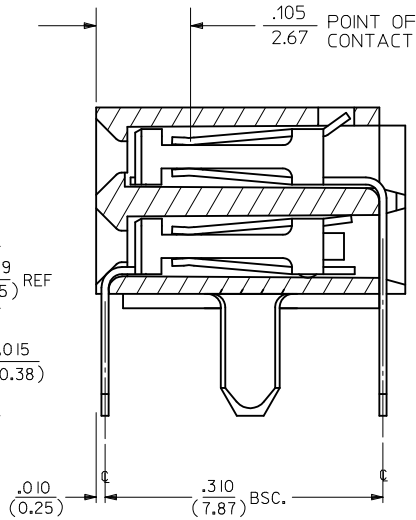
NOTES:

- 1.) MATERIAL-
INSULATOR - LCP, UL 94V-0, COLOR BLACK
CONTACTS - PHOSPHOR BRONZE
- 2.) SEE SHT. 22 FOR CHART DIMENSIONS AND ITEM NO.'S
- 3.) RECOMMENDED MATING PIN LENGTH:
LOWER ROW - .200" MINIMUM, .250" MAX.
UPPER ROW - .200" MINIMUM
- 4.) REFER TO PRODUCT SPECIFICATION PS-71973-9999 FOR PERFORMANCE DATA
- 5.) MANUFACTURED DATE CODE - YEAR, WEEK.
- 6.) PACKAGING: FOR THIS PRODUCT IN TUBES SEE SHT. 26

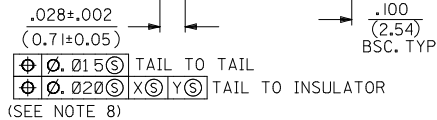
4 DIGIT DATE CODE
SEE NOTE 5



SECTION D-D



RECOMMENDED P.C.B.
LAYOUT



OPTION "L" ASSEMBLY
STANDARD HOUSING W/ PEGS

| ADD OPTION K & L EC NO: S2010-0534 DRWN:SKANG 2009/12/30 CHKD:ATSEE 2010/01/08 APPR:MLONG 2010/01/14 | QUALITY SYMBOLS $\nabla_A = 0$ $\nabla_C = 0$ $\nabla_P = 0$ | GENERAL TOLERANCES (UNLESS SPECIFIED) <table border="1"> <thead> <tr> <th></th> <th>mm</th> <th>INCH</th> </tr> </thead> <tbody> <tr> <td>4 PLACES</td> <td>± ---</td> <td>± ---</td> </tr> <tr> <td>3 PLACES</td> <td>± ---</td> <td>± .010</td> </tr> <tr> <td>2 PLACES</td> <td>± 0.25</td> <td>± ---</td> </tr> <tr> <td>1 PLACE</td> <td>± ---</td> <td>± ---</td> </tr> </tbody> </table> | | mm | INCH | 4 PLACES | ± --- | ± --- | 3 PLACES | ± --- | ± .010 | 2 PLACES | ± 0.25 | ± --- | 1 PLACE | ± --- | ± --- | DIMENSION STYLE IN/MM DRAWN BY: DJB DATE: 1991/10/21 CHECKED BY: DJB DATE: 1991/10/21 APPROVED BY: MLONG DATE: 2010/01/14 | SCALE NTS | DESIGN UNITS INCH | THIRD ANGLE PROJECTION |
|---|---|--|---|---|---------------------------------------|-----------------------------|-------|-------|----------|-------|--------|----------|--------|-------|---------|-------|-------|---|---------------------|-----------------------------|------------------------|
| | | mm | INCH | | | | | | | | | | | | | | | | | | |
| | 4 PLACES | ± --- | ± --- | | | | | | | | | | | | | | | | | | |
| | 3 PLACES | ± --- | ± .010 | | | | | | | | | | | | | | | | | | |
| 2 PLACES | ± 0.25 | ± --- | | | | | | | | | | | | | | | | | | | |
| 1 PLACE | ± --- | ± --- | | | | | | | | | | | | | | | | | | | |
| | | DRAFT WHERE APPLICABLE MUST REMAIN WITHIN DIMENSIONS | SEE TABLE | TITLE EARLY ENTRY R/A RECPT .120"PC TAIL W/O LOWER ROW PINSTOP-.100" GRID | MATERIAL NO. SDA-71973-**** | SHEET NO. 7 OF 26 | | | | | | | | | | | | | | | |
| | | | THIS DRAWING CONTAINS INFORMATION THAT IS PROPRIETARY TO MOLEX INCORPORATED AND SHOULD NOT BE USED WITHOUT WRITTEN PERMISSION | MOLEX INCORPORATED | | | | | | | | | | | | | | | | | |
| | | | | | | | | | | | | | | | | | | | | | |

9 8 7 6 5 4 3 2 1

| 10 | | 9 | | 8 | | 7 | | 6 | | 5 | | 4 | | 3 | | 2 | | 1 | | | | | | |
|-------------|-------|---|--|------------|------------|------------|------------------|------------------|---|---|--|-------------|-------|---|------------|------------|------------|---------|--|------------------|------------------|--|--|--|
| NO. OF CKTS | | OPTION A ASSEMBLY PACKAGED IN TUBES PER PK-70873-0138 (SEE SHEET I FOR FINISH SPECIFICATIONS) | | | | | | DIMENSION | | | | NO. OF CKTS | | OPTION A ASSEMBLY PACKAGED IN TUBES PER PK-70873-0138 (SEE SHEET I FOR FINISH SPECIFICATIONS) | | | | | | DIMENSION | | | | |
| PER ROW | TOTAL | 15 GOLD | | 30 GOLD | | 50 GOLD | | A | B | | | PER ROW | TOTAL | 15 GOLD | | 30 GOLD | | 50 GOLD | | A | B | | | |
| 4 | 8 | | | 71973-0204 | 71973-0304 | 71973-0404 | .300 (7.62) | .395 (10.03) | | | | 33 | 66 | | 71973-0233 | 71973-0333 | 71973-0433 | | | 3.200 (81.28) | 3.295 (83.69) | | | |
| 5 | 10 | | | 71973-0205 | 71973-0305 | 71973-0405 | .400 (10.16) | .495 (12.57) | | | | 34 | 68 | | 71973-0234 | 71973-0334 | 71973-0434 | | | 3.300 (83.82) | 3.395 (86.23) | | | |
| 6 | 12 | | | 71973-0206 | 71973-0306 | 71973-0406 | .500 (12.70) | .595 (15.11) | | | | 35 | 70 | | 71973-0235 | 71973-0335 | 71973-0435 | | | 3.400 (86.36) | 3.495 (88.77) | | | |
| 7 | 14 | | | 71973-0207 | 71973-0307 | 71973-0407 | .600 (15.24) | .695 (17.65) | | | | 36 | 72 | | 71973-0236 | 71973-0336 | 71973-0436 | | | 3.500 (88.90) | 3.595 (91.31) | | | |
| 8 | 16 | | | 71973-0208 | 71973-0308 | 71973-0408 | .700 (17.78) | .795 (20.19) | | | | | | | | | | | | | | | | |
| 9 | 18 | | | 71973-0209 | 71973-0309 | 71973-0409 | .800 (20.32) | .895 (22.73) | | | | | | | | | | | | | | | | |
| 10 | 20 | | | 71973-0210 | 71973-0310 | 71973-0410 | .900 (22.86) | .995 (25.27) | | | | | | | | | | | | | | | | |
| 11 | 22 | | | 71973-0211 | 71973-0311 | 71973-0411 | 1.000 (25.40) | 1.095 (27.81) | | | | | | | | | | | | | | | | |
| 12 | 24 | | | 71973-0212 | 71973-0312 | 71973-0412 | 1.100 (27.94) | 1.195 (30.35) | | | | | | | | | | | | | | | | |
| 13 | 26 | | | 71973-0213 | 71973-0313 | 71973-0413 | 1.200 (30.48) | 1.295 (32.89) | | | | | | | | | | | | | | | | |
| 14 | 28 | | | 71973-0214 | 71973-0314 | 71973-0414 | 1.300 (33.02) | 1.395 (35.43) | | | | | | | | | | | | | | | | |
| 15 | 30 | | | 71973-0215 | 71973-0315 | 71973-0415 | 1.400 (35.56) | 1.495 (37.97) | | | | | | | | | | | | | | | | |
| 16 | 32 | | | 71973-0216 | 71973-0316 | 71973-0416 | 1.500 (38.10) | 1.595 (40.51) | | | | | | | | | | | | | | | | |
| 17 | 34 | | | 71973-0217 | 71973-0317 | 71973-0417 | 1.600 (40.64) | 1.695 (43.05) | | | | | | | | | | | | | | | | |
| 18 | 36 | | | 71973-0218 | 71973-0318 | 71973-0418 | 1.700 (43.18) | 1.795 (45.59) | | | | | | | | | | | | | | | | |
| 19 | 38 | | | 71973-0219 | 71973-0319 | 71973-0419 | 1.800 (45.72) | 1.895 (48.13) | | | | | | | | | | | | | | | | |
| 20 | 40 | | | 71973-0220 | 71973-0320 | 71973-0420 | 1.900 (48.26) | 1.995 (50.67) | | | | | | | | | | | | | | | | |
| 21 | 42 | | | 71973-0221 | 71973-0321 | 71973-0421 | 2.000 (50.80) | 2.095 (53.21) | | | | | | | | | | | | | | | | |
| 22 | 44 | | | 71973-0222 | 71973-0322 | 71973-0422 | 2.100 (53.34) | 2.195 (55.75) | | | | | | | | | | | | | | | | |
| 23 | 46 | | | 71973-0223 | 71973-0323 | 71973-0423 | 2.200 (55.88) | 2.295 (58.29) | | | | | | | | | | | | | | | | |
| 24 | 48 | | | 71973-0224 | 71973-0324 | 71973-0424 | 2.300 (58.42) | 2.395 (60.83) | | | | | | | | | | | | | | | | |
| 25 | 50 | | | 71973-0225 | 71973-0325 | 71973-0425 | 2.400 (60.96) | 2.495 (63.37) | | | | | | | | | | | | | | | | |
| 26 | 52 | | | 71973-0226 | 71973-0326 | 71973-0426 | 2.500 (63.50) | 2.595 (65.91) | | | | | | | | | | | | | | | | |
| 27 | 54 | | | 71973-0227 | 71973-0327 | 71973-0427 | 2.600 (66.04) | 2.695 (68.45) | | | | | | | | | | | | | | | | |
| 28 | 56 | | | 71973-0228 | 71973-0328 | 71973-0428 | 2.700 (68.58) | 2.795 (70.99) | | | | | | | | | | | | | | | | |
| 29 | 58 | | | 71973-0229 | 71973-0329 | 71973-0429 | 2.800 (71.12) | 2.895 (73.53) | | | | | | | | | | | | | | | | |
| 30 | 60 | | | 71973-0230 | 71973-0330 | 71973-0430 | 2.900 (73.66) | 2.995 (76.07) | | | | | | | | | | | | | | | | |
| 31 | 62 | | | 71973-0231 | 71973-0331 | 71973-0431 | 3.000 (76.20) | 3.095 (78.61) | | | | | | | | | | | | | | | | |
| 32 | 64 | | | 71973-0232 | 71973-0332 | 71973-0432 | 3.100 (78.74) | 3.195 (81.15) | | | | | | | | | | | | | | | | |

| | | | | | | | |
|--|--------------------|--|--|---|-------------|--------------|--|
| ADD OPTION K & L EC NO: S2010-0534 DRWN:SKANG 2009/12/30 CHKD:ATSEE 2010/01/08 APPR:MLONG 2010/01/14 K | DESCRIPTION REV | QUALITY SYMBOLS | GENERAL TOLERANCES (UNLESS SPECIFIED) | DIMENSION STYLE | SCALE | DESIGN UNITS | THIRD ANGLE PROJECTION |
| | | $F_A = 0$ $F_G = 0$ $F_P = 0$ | mm INCH 4 PLACES ± --- ± --- 3 PLACES ± --- ± .010 2 PLACES ± 0.25 ± --- 1 PLACE ± --- ± --- ANGULAR ± 1/2° | IN/MM DRAWN BY: DJB DATE: 1991/10/21 CHECKED BY: DATE: 1991/10/21 APPROVED BY: DATE: 2010/01/14 MATERIAL NO. DOCUMENT NO. | NTS INCH | | TITLE EARLY ENTRY R/A RECPT .120"PC TAIL W/O LOWER ROW PINSTOP-.100" GRID MOLEX INCORPORATED |
| | | DRAFT WHERE APPLICABLE MUST REMAIN WITHIN DIMENSIONS | SEE TABLE | SHEET NO. 8 OF 26 | | | |
| | | SIZE A3 | THIS DRAWING CONTAINS INFORMATION THAT IS PROPRIETARY TO MOLEX INCORPORATED AND SHOULD NOT BE USED WITHOUT WRITTEN PERMISSION | | | | |

| 10 | | 9 | | 8 | | 7 | | 6 | | 5 | | 4 | | 3 | | 2 | | 1 | | | | | |
|-------------|-------|--|------------|------------|------------|------------|------------------|------------------|--|------------------|---------|-------------|------------------------|--|------------|------------|------------|------------------|------------------|-----------|------------------|--|--|
| NO. OF CKTS | | OPTION B ASSEMBLY PACKAGED IN TUBES PER PK-70873-0139 (SEE SHEET I FOR PLATING SPECIFICATIONS) | | | | | | DIMENSION | | | | NO. OF CKTS | | OPTION B ASSEMBLY PACKAGED IN TUBES PER PK-70873-0139 (SEE SHEET I FOR PLATING SPECIFICATIONS) | | | | | | DIMENSION | | | |
| PER ROW | TOTAL | OPT. J ASSY 15 GOLD | | 15 GOLD | 30 GOLD | 50 GOLD | A | B | | D | PER ROW | TOTAL | OPT. J ASSY 15 GOLD | | 15 GOLD | 30 GOLD | 50 GOLD | A | B | | D | | |
| 4 | 8 | | | 71973-1004 | 71973-1104 | 71973-1204 | .300 (7.62) | .395 (10.03) | | .658 (16.71) | 33 | 66 | | | 71973-1033 | 71973-1133 | 71973-1233 | 3.200 (81.28) | 3.295 (83.69) | | 3.558 (90.37) | | |
| 5 | 10 | | | 71973-1005 | 71973-1105 | 71973-1205 | .400 (10.16) | .495 (12.57) | | .758 (19.25) | 34 | 68 | | | 71973-1034 | 71973-1134 | 71973-1234 | 3.300 (83.82) | 3.395 (86.23) | | 3.658 (92.91) | | |
| 6 | 12 | | | 71973-1006 | 71973-1106 | 71973-1206 | .500 (12.70) | .595 (15.11) | | .858 (21.79) | 35 | 70 | | | 71973-1035 | 71973-1135 | 71973-1235 | 3.400 (86.36) | 3.495 (88.77) | | 3.758 (95.45) | | |
| 7 | 14 | | | 71973-1007 | 71973-1107 | 71973-1207 | .600 (15.24) | .695 (17.65) | | .958 (24.33) | 36 | 72 | | | 71973-1036 | 71973-1136 | 71973-1236 | 3.500 (88.90) | 3.595 (91.31) | | 3.858 (97.99) | | |
| 8 | 16 | | | 71973-1008 | 71973-1108 | 71973-1208 | .700 (17.78) | .795 (20.19) | | 1.058 (26.87) | | | | | | | | | | | | | |
| 9 | 18 | | | 71973-1009 | 71973-1109 | 71973-1209 | .800 (20.32) | .895 (22.73) | | 1.158 (29.41) | | | | | | | | | | | | | |
| 10 | 20 | | | 71973-1010 | 71973-1110 | 71973-1210 | .900 (22.86) | .995 (25.27) | | 1.258 (31.95) | | | | | | | | | | | | | |
| 11 | 22 | | | 71973-1011 | 71973-1111 | 71973-1211 | 1.000 (25.40) | 1.095 (27.81) | | 1.358 (34.49) | | | | | | | | | | | | | |
| 12 | 24 | | | 71973-1012 | 71973-1112 | 71973-1212 | 1.100 (27.94) | 1.195 (30.35) | | 1.458 (37.03) | | | | | | | | | | | | | |
| 13 | 26 | | | 71973-1013 | 71973-1113 | 71973-1213 | 1.200 (30.48) | 1.295 (32.89) | | 1.558 (39.57) | | | | | | | | | | | | | |
| 14 | 28 | | | 71973-1014 | 71973-1114 | 71973-1214 | 1.300 (33.02) | 1.395 (35.43) | | 1.658 (42.11) | | | | | | | | | | | | | |
| 15 | 30 | | 71973-1315 | 71973-1015 | 71973-1115 | 71973-1215 | 1.400 (35.56) | 1.495 (37.97) | | 1.758 (44.65) | | | | | | | | | | | | | |
| 16 | 32 | | | 71973-1016 | 71973-1116 | 71973-1216 | 1.500 (38.10) | 1.595 (40.51) | | 1.858 (47.19) | | | | | | | | | | | | | |
| 17 | 34 | | | 71973-1017 | 71973-1117 | 71973-1217 | 1.600 (40.64) | 1.695 (43.05) | | 1.958 (49.73) | | | | | | | | | | | | | |
| 18 | 36 | | | 71973-1018 | 71973-1118 | 71973-1218 | 1.700 (43.18) | 1.795 (45.59) | | 2.058 (52.27) | | | | | | | | | | | | | |
| 19 | 38 | | | 71973-1019 | 71973-1119 | 71973-1219 | 1.800 (45.72) | 1.895 (48.13) | | 2.158 (54.81) | | | | | | | | | | | | | |
| 20 | 40 | | 71973-1320 | 71973-1020 | 71973-1120 | 71973-1220 | 1.900 (48.26) | 1.995 (50.67) | | 2.258 (57.35) | | | | | | | | | | | | | |
| 21 | 42 | | | 71973-1021 | 71973-1121 | 71973-1221 | 2.000 (50.80) | 2.095 (53.21) | | 2.358 (59.89) | | | | | | | | | | | | | |
| 22 | 44 | | | 71973-1022 | 71973-1122 | 71973-1222 | 2.100 (53.34) | 2.195 (55.75) | | 2.458 (62.43) | | | | | | | | | | | | | |
| 23 | 46 | | | 71973-1023 | 71973-1123 | 71973-1223 | 2.200 (55.88) | 2.295 (58.29) | | 2.558 (64.97) | | | | | | | | | | | | | |
| 24 | 48 | | | 71973-1024 | 71973-1124 | 71973-1224 | 2.300 (58.42) | 2.395 (60.83) | | 2.658 (67.51) | | | | | | | | | | | | | |
| 25 | 50 | | | 71973-1025 | 71973-1125 | 71973-1225 | 2.400 (60.96) | 2.495 (63.37) | | 2.758 (70.05) | | | | | | | | | | | | | |
| 26 | 52 | | | 71973-1026 | 71973-1126 | 71973-1226 | 2.500 (63.50) | 2.595 (65.91) | | 2.858 (72.59) | | | | | | | | | | | | | |
| 27 | 54 | | | 71973-1027 | 71973-1127 | 71973-1227 | 2.600 (66.04) | 2.695 (68.45) | | 2.958 (75.13) | | | | | | | | | | | | | |
| 28 | 56 | | | 71973-1028 | 71973-1128 | 71973-1228 | 2.700 (68.58) | 2.795 (70.99) | | 3.058 (77.67) | | | | | | | | | | | | | |
| 29 | 58 | | | 71973-1029 | 71973-1129 | 71973-1229 | 2.800 (71.12) | 2.895 (73.53) | | 3.158 (80.21) | | | | | | | | | | | | | |
| 30 | 60 | | | 71973-1030 | 71973-1130 | 71973-1230 | 2.900 (73.66) | 2.995 (76.07) | | 3.258 (82.75) | | | | | | | | | | | | | |
| 31 | 62 | | | 71973-1031 | 71973-1131 | 71973-1231 | 3.000 (76.20) | 3.095 (78.61) | | 3.358 (85.29) | | | | | | | | | | | | | |
| 32 | 64 | | | 71973-1032 | 71973-1132 | 71973-1232 | 3.100 (78.74) | 3.195 (81.15) | | 3.458 (87.83) | | | | | | | | | | | | | |

| | | | | | | | | | | | | | |
|--|---|--|---------------------------------------|-----------|--------------------------|--|----------------------|----------------------|--|--|----------------------|--|--|
| <p>OPTION "J" IS THE SAME AS "B" EXCEPT DATE CODE IS NOT STAMPED ON HOUSING.</p> | <p>ADD OPTION K & L EC NO: S2010-0534 DRWN:SKANG 2009/12/30 CHKD:ATSEE 2010/01/08 APPR:MLONG 2010/01/14</p> | <p>QUALITY SYMBOLS ▽_A=0 ▽_C=0 ▽_P=0</p> | GENERAL TOLERANCES (UNLESS SPECIFIED) | | DIMENSION STYLE IN/MM | | SCALE NTS | DESIGN UNITS INCH | THIRD ANGLE PROJECTION | | | | |
| | | | mm | | INCH | | DRAWN BY DJB | DATE 1991/10/21 | TITLE EARLY ENTRY R/A RECPT .120"PC TAIL W/O LOWER ROW PINSTOP-.100" GRID | | | | |
| | | | 4 PLACES ± --- ± --- | | 3 PLACES ± --- ± .010 | | CHECKED BY DJB | DATE 1991/10/21 | MOLEX INCORPORATED | | | | |
| | | | 2 PLACES ± 0.25 ± --- | | 1 PLACE ± --- ± --- | | APPROVED BY MLONG | DATE 2010/01/14 | DOCUMENT NO. SDA-71973-**** | | SHEET NO. 9 OF 26 | | |
| DRAFT WHERE APPLICABLE MUST REMAIN WITHIN DIMENSIONS | | | | SEE TABLE | | THIS DRAWING CONTAINS INFORMATION THAT IS PROPRIETARY TO MOLEX INCORPORATED AND SHOULD NOT BE USED WITHOUT WRITTEN PERMISSION | | | | | | | |

| 10 | | 9 | | 8 | | 7 | | 6 | | 5 | | 4 | | 3 | | 2 | | 1 | | | | | | | | | | | |
|-------------|-------|---|--|------------|------------|------------|------------------|------------------|---|---|--|-------------|--|---|------------|------------|------------|------------------|------------------|-----------|---|--|--|--|--|--|--|--|--|
| NO. OF CKTS | | OPTION A ASSEMBLY PACKAGED IN TRAYS PER PK-70873-0239 (SEE SHEET I FOR FINISH SPECIFICATIONS) | | | | | | DIMENSION | | | | NO. OF CKTS | | OPTION A ASSEMBLY PACKAGED IN TRAYS PER PK-70873-0239 (SEE SHEET I FOR FINISH SPECIFICATIONS) | | | | | | DIMENSION | | | | | | | | | |
| PER ROW | TOTAL | 15 GOLD | | 30 GOLD | | 50 GOLD | | A | B | | | | | 15 GOLD | | 30 GOLD | | 50 GOLD | | A | B | | | | | | | | |
| 4 | 8 | | | 71973-6604 | 71973-6704 | 71973-6804 | .300 (7.62) | .395 (10.03) | | | | | | | 71973-6633 | 71973-6733 | 71973-6833 | 3.200 (81.28) | 3.295 (83.69) | | | | | | | | | | |
| 5 | 10 | | | 71973-6605 | 71973-6705 | 71973-6805 | .400 (10.16) | .495 (12.57) | | | | | | | 71973-6634 | 71973-6734 | 71973-6834 | 3.300 (83.82) | 3.395 (86.23) | | | | | | | | | | |
| 6 | 12 | | | 71973-6606 | 71973-6706 | 71973-6806 | .500 (12.70) | .595 (15.11) | | | | | | | 71973-6635 | 71973-6735 | 71973-6835 | 3.400 (86.36) | 3.495 (88.77) | | | | | | | | | | |
| 7 | 14 | | | 71973-6607 | 71973-6707 | 71973-6807 | .600 (15.24) | .695 (17.65) | | | | | | | 71973-6636 | 71973-6736 | 71973-6836 | 3.500 (88.90) | 3.595 (91.31) | | | | | | | | | | |
| 8 | 16 | | | 71973-6608 | 71973-6708 | 71973-6808 | .700 (17.78) | .795 (20.19) | | | | | | | | | | | | | | | | | | | | | |
| 9 | 18 | | | 71973-6609 | 71973-6709 | 71973-6809 | .800 (20.32) | .895 (22.73) | | | | | | | | | | | | | | | | | | | | | |
| 10 | 20 | | | 71973-6610 | 71973-6710 | 71973-6810 | .900 (22.86) | .995 (25.27) | | | | | | | | | | | | | | | | | | | | | |
| 11 | 22 | | | 71973-6611 | 71973-6711 | 71973-6811 | 1.000 (25.40) | 1.095 (27.81) | | | | | | | | | | | | | | | | | | | | | |
| 12 | 24 | | | 71973-6612 | 71973-6712 | 71973-6812 | 1.100 (27.94) | 1.195 (30.35) | | | | | | | | | | | | | | | | | | | | | |
| 13 | 26 | | | 71973-6613 | 71973-6713 | 71973-6813 | 1.200 (30.48) | 1.295 (32.89) | | | | | | | | | | | | | | | | | | | | | |
| 14 | 28 | | | 71973-6614 | 71973-6714 | 71973-6814 | 1.300 (33.02) | 1.395 (35.43) | | | | | | | | | | | | | | | | | | | | | |
| 15 | 30 | | | 71973-6615 | 71973-6715 | 71973-6815 | 1.400 (35.56) | 1.495 (37.97) | | | | | | | | | | | | | | | | | | | | | |
| 16 | 32 | | | 71973-6616 | 71973-6716 | 71973-6816 | 1.500 (38.10) | 1.595 (40.51) | | | | | | | | | | | | | | | | | | | | | |
| 17 | 34 | | | 71973-6617 | 71973-6717 | 71973-6817 | 1.600 (40.64) | 1.695 (43.05) | | | | | | | | | | | | | | | | | | | | | |
| 18 | 36 | | | 71973-6618 | 71973-6718 | 71973-6818 | 1.700 (43.18) | 1.795 (45.59) | | | | | | | | | | | | | | | | | | | | | |
| 19 | 38 | | | 71973-6619 | 71973-6719 | 71973-6819 | 1.800 (45.72) | 1.895 (48.13) | | | | | | | | | | | | | | | | | | | | | |
| 20 | 40 | | | 71973-6620 | 71973-6720 | 71973-6820 | 1.900 (48.26) | 1.995 (50.67) | | | | | | | | | | | | | | | | | | | | | |
| 21 | 42 | | | 71973-6621 | 71973-6721 | 71973-6821 | 2.000 (50.80) | 2.095 (53.21) | | | | | | | | | | | | | | | | | | | | | |
| 22 | 44 | | | 71973-6622 | 71973-6722 | 71973-6822 | 2.100 (53.34) | 2.195 (55.75) | | | | | | | | | | | | | | | | | | | | | |
| 23 | 46 | | | 71973-6623 | 71973-6723 | 71973-6823 | 2.200 (55.88) | 2.295 (58.29) | | | | | | | | | | | | | | | | | | | | | |
| 24 | 48 | | | 71973-6624 | 71973-6724 | 71973-6824 | 2.300 (58.42) | 2.395 (60.83) | | | | | | | | | | | | | | | | | | | | | |
| 25 | 50 | | | 71973-6625 | 71973-6725 | 71973-6825 | 2.400 (60.96) | 2.495 (63.37) | | | | | | | | | | | | | | | | | | | | | |
| 26 | 52 | | | 71973-6626 | 71973-6726 | 71973-6826 | 2.500 (63.50) | 2.595 (65.91) | | | | | | | | | | | | | | | | | | | | | |
| 27 | 54 | | | 71973-6627 | 71973-6727 | 71973-6827 | 2.600 (66.04) | 2.695 (68.45) | | | | | | | | | | | | | | | | | | | | | |
| 28 | 56 | | | 71973-6628 | 71973-6728 | 71973-6828 | 2.700 (68.58) | 2.795 (70.99) | | | | | | | | | | | | | | | | | | | | | |
| 29 | 58 | | | 71973-6629 | 71973-6729 | 71973-6829 | 2.800 (71.12) | 2.895 (73.53) | | | | | | | | | | | | | | | | | | | | | |
| 30 | 60 | | | 71973-6630 | 71973-6730 | 71973-6830 | 2.900 (73.66) | 2.995 (76.07) | | | | | | | | | | | | | | | | | | | | | |
| 31 | 62 | | | 71973-6631 | 71973-6731 | 71973-6831 | 3.000 (76.20) | 3.095 (78.61) | | | | | | | | | | | | | | | | | | | | | |
| 32 | 64 | | | 71973-6632 | 71973-6732 | 71973-6832 | 3.100 (78.74) | 3.195 (81.15) | | | | | | | | | | | | | | | | | | | | | |

| | | | | | | | | | |
|---|--------------------|-------------------------------------|---|-----------------|--------------------------------------|-----------------------|--|-------|---|
| ADD OPTION K & L EC NO: S2010-0534 DRWN:SKANG 2009/12/30 CHKD:ATSEE 2010/01/08 APPR:MLONG 2010/01/14 | DESCRIPTION REV | QUALITY SYMBOLS | GENERAL TOLERANCES (UNLESS SPECIFIED) | DIMENSION STYLE | SCALE | DESIGN UNITS | THIRD ANGLE PROJECTION | | |
| | | $F_A = 0$ $F_G = 0$ $F_P = 0$ | mm INCH 4 PLACES ± --- ± --- 3 PLACES ± --- ± .010 2 PLACES ± 0.25 ± --- 1 PLACE ± --- ± --- ANGULAR ± 1/2° | IN/MM | NTS | INCH | DRAWN BY: DJB DATE: 1991/10/21 CHECKED BY: DJB DATE: 1991/10/21 APPROVED BY: MLONG DATE: 2010/01/14 | TITLE | EARLY ENTRY R/A RECPT .120"PC TAIL W/O LOWER ROW PINSTOP-.100" GRID |
| | | | DRAFT WHERE APPLICABLE MUST REMAIN WITHIN DIMENSIONS | SEE TABLE | MOLEX INCORPORATED SDA-71973-**** | SHEET NO. 10 OF 26 | | | |
| | | | THIS DRAWING CONTAINS INFORMATION THAT IS PROPRIETARY TO MOLEX INCORPORATED AND SHOULD NOT BE USED WITHOUT WRITTEN PERMISSION | | | | | | |

| NO. OF CKTS | | OPTION B ASSEMBLY PACKAGED IN TRAYS PER PK-70873-0239 (SEE SHEET 1 FOR FINISH SPECIFICATIONS) | | | | | DIMENSION | | | NO. OF CKTS | | OPTION B ASSEMBLY PACKAGED IN TRAYS PER PK-70873-0239 (SEE SHEET 1 FOR FINISH SPECIFICATIONS) | | | | | DIMENSION | | | | | | |
|-------------|-------|---|--|------------|------------|------------|------------------|------------------|------------------|-------------|---|---|-------|---------|--|------------|------------|------------|------------------|------------------|------------------|---|---|
| PER ROW | TOTAL | 15 GOLD | | | 30 GOLD | | 50 GOLD | | A | B | D | PER ROW | TOTAL | 15 GOLD | | | 30 GOLD | | 50 GOLD | | A | B | D |
| 4 | 8 | | | 71973-7004 | 71973-7104 | 71973-7204 | .300 (7.62) | .395 (10.03) | .658 (16.71) | | | 33 | 66 | | | 71973-7033 | 71973-7133 | 71973-7233 | 3.200 (81.28) | 3.295 (83.69) | 3.558 (90.37) | | |
| 5 | 10 | | | 71973-7005 | 71973-7105 | 71973-7205 | .400 (10.16) | .495 (12.57) | .758 (19.25) | | | 34 | 68 | | | 71973-7034 | 71973-7134 | 71973-7234 | 3.300 (83.82) | 3.395 (86.23) | 3.658 (92.91) | | |
| 6 | 12 | | | 71973-7006 | 71973-7106 | 71973-7206 | .500 (12.70) | .595 (15.11) | .858 (21.79) | | | 35 | 70 | | | 71973-7035 | 71973-7135 | 71973-7235 | 3.400 (86.36) | 3.495 (88.77) | 3.758 (95.45) | | |
| 7 | 14 | | | 71973-7007 | 71973-7107 | 71973-7207 | .600 (15.24) | .695 (17.65) | .958 (24.33) | | | 36 | 72 | | | 71973-7036 | 71973-7136 | 71973-7236 | 3.500 (88.90) | 3.595 (91.31) | 3.858 (97.99) | | |
| 8 | 16 | | | 71973-7008 | 71973-7108 | 71973-7208 | .700 (17.78) | .795 (20.19) | 1.058 (26.87) | | | | | | | | | | | | | | |
| 9 | 18 | | | 71973-7009 | 71973-7109 | 71973-7209 | .800 (20.32) | .895 (22.73) | 1.158 (29.41) | | | | | | | | | | | | | | |
| 10 | 20 | | | 71973-7010 | 71973-7110 | 71973-7210 | .900 (22.86) | .995 (25.27) | 1.258 (31.95) | | | | | | | | | | | | | | |
| 11 | 22 | | | 71973-7011 | 71973-7111 | 71973-7211 | 1.000 (25.40) | 1.095 (27.81) | 1.358 (34.49) | | | | | | | | | | | | | | |
| 12 | 24 | | | 71973-7012 | 71973-7112 | 71973-7212 | 1.100 (27.94) | 1.195 (30.35) | 1.458 (37.03) | | | | | | | | | | | | | | |
| 13 | 26 | | | 71973-7013 | 71973-7113 | 71973-7213 | 1.200 (30.48) | 1.295 (32.89) | 1.558 (39.57) | | | | | | | | | | | | | | |
| 14 | 28 | | | 71973-7014 | 71973-7114 | 71973-7214 | 1.300 (33.02) | 1.395 (35.43) | 1.658 (42.11) | | | | | | | | | | | | | | |
| 15 | 30 | | | 71973-7015 | 71973-7115 | 71973-7215 | 1.400 (35.56) | 1.495 (37.97) | 1.758 (44.65) | | | | | | | | | | | | | | |
| 16 | 32 | | | 71973-7016 | 71973-7116 | 71973-7216 | 1.500 (38.10) | 1.595 (40.51) | 1.858 (47.19) | | | | | | | | | | | | | | |
| 17 | 34 | | | 71973-7017 | 71973-7117 | 71973-7217 | 1.600 (40.64) | 1.695 (43.05) | 1.958 (49.73) | | | | | | | | | | | | | | |
| 18 | 36 | | | 71973-7018 | 71973-7118 | 71973-7218 | 1.700 (43.18) | 1.795 (45.59) | 2.058 (52.27) | | | | | | | | | | | | | | |
| 19 | 38 | | | 71973-7019 | 71973-7119 | 71973-7219 | 1.800 (45.72) | 1.895 (48.13) | 2.158 (54.81) | | | | | | | | | | | | | | |
| 20 | 40 | | | 71973-7020 | 71973-7120 | 71973-7220 | 1.900 (48.26) | 1.995 (50.67) | 2.258 (57.35) | | | | | | | | | | | | | | |
| 21 | 42 | | | 71973-7021 | 71973-7121 | 71973-7221 | 2.000 (50.80) | 2.095 (53.21) | 2.358 (59.89) | | | | | | | | | | | | | | |
| 22 | 44 | | | 71973-7022 | 71973-7122 | 71973-7222 | 2.100 (53.34) | 2.195 (55.75) | 2.458 (62.43) | | | | | | | | | | | | | | |
| 23 | 46 | | | 71973-7023 | 71973-7123 | 71973-7223 | 2.200 (55.88) | 2.295 (58.29) | 2.558 (64.97) | | | | | | | | | | | | | | |
| 24 | 48 | | | 71973-7024 | 71973-7124 | 71973-7224 | 2.300 (58.42) | 2.395 (60.83) | 2.658 (67.51) | | | | | | | | | | | | | | |
| 25 | 50 | | | 71973-7025 | 71973-7125 | 71973-7225 | 2.400 (60.96) | 2.495 (63.37) | 2.758 (70.05) | | | | | | | | | | | | | | |
| 26 | 52 | | | 71973-7026 | 71973-7126 | 71973-7226 | 2.500 (63.50) | 2.595 (65.91) | 2.858 (72.59) | | | | | | | | | | | | | | |
| 27 | 54 | | | 71973-7027 | 71973-7127 | 71973-7227 | 2.600 (66.04) | 2.695 (68.45) | 2.958 (75.13) | | | | | | | | | | | | | | |
| 28 | 56 | | | 71973-7028 | 71973-7128 | 71973-7228 | 2.700 (68.58) | 2.795 (70.99) | 3.058 (77.67) | | | | | | | | | | | | | | |
| 29 | 58 | | | 71973-7029 | 71973-7129 | 71973-7229 | 2.800 (71.12) | 2.895 (73.53) | 3.158 (80.21) | | | | | | | | | | | | | | |
| 30 | 60 | | | 71973-7030 | 71973-7130 | 71973-7230 | 2.900 (73.66) | 2.995 (76.07) | 3.258 (82.75) | | | | | | | | | | | | | | |
| 31 | 62 | | | 71973-7031 | 71973-7131 | 71973-7231 | 3.000 (76.20) | 3.095 (78.61) | 3.358 (85.29) | | | | | | | | | | | | | | |
| 32 | 64 | | | 71973-7032 | 71973-7132 | 71973-7232 | 3.100 (78.74) | 3.195 (81.15) | 3.458 (87.83) | | | | | | | | | | | | | | |

| | | | | | | | |
|---|--|---|--|--|-----------------------|------------------------|--|
| ADD OPTION K & L EC NO: S2010-0534 DRWN:SKANG 2009/12/30 CHKD:ATSEE 2010/01/08 APPR:MLONG 2010/01/14 | QUALITY SYMBOLS | GENERAL TOLERANCES (UNLESS SPECIFIED) | DIMENSION STYLE | SCALE | DESIGN UNITS | THIRD ANGLE PROJECTION | |
| | $F_A=0$ $F_C=0$ $F_P=0$ | mm INCH 4 PLACES ± --- ± --- 3 PLACES ± --- ± .010 2 PLACES ± 0.25 ± --- 1 PLACE ± --- ± --- ANGULAR ± 1/2° | IN/MM DRAWN BY DATE DJB 1991/10/21 CHECKED BY DATE DJB 1991/10/21 APPROVED BY DATE MLONG 2010/01/14 | TITLE EARLY ENTRY R/A RECPT .120"PC TAIL W/O LOWER ROW PINSTOP-.100" GRID | NTS | INCH | |
| | MATERIAL NO. | SEE TABLE | DOCUMENT NO. | MOLEX INCORPORATED SDA-71973-**** | SHEET NO. 11 OF 26 | | |
| | DRAFT WHERE APPLICABLE MUST REMAIN WITHIN DIMENSIONS | SIZE A3 | THIS DRAWING CONTAINS INFORMATION THAT IS PROPRIETARY TO MOLEX INCORPORATED AND SHOULD NOT BE USED WITHOUT WRITTEN PERMISSION | | | | |

| NO. OF CKTS | | OPTION C ASSEMBLY PACKAGED IN TUBES PER PK-70873-0138 (SEE SHEET 1 FOR FINISH SPECIFICATIONS) | | | | | DIMENSION | | | | NO. OF CKTS | | OPTION C ASSEMBLY PACKAGED IN TUBES PER PK-70873-0138 (SEE SHEET 1 FOR FINISH SPECIFICATIONS) | | | | | DIMENSION | | | | |
|-------------|-------|---|------------|---------|------------|---|------------|------------------|------------------|--|-------------|-------|---|------------|---------|------------|---|------------|------------------|------------------|--|--|
| PER ROW | TOTAL | | 15 GOLD | 30 GOLD | 50 GOLD | A | B | | | | PER ROW | TOTAL | | 15 GOLD | 30 GOLD | 50 GOLD | A | B | | | | |
| 4 | 8 | X | 71973-1804 | X | 71973-1904 | X | 71973-2004 | .300 (7.62) | .395 (10.03) | | 33 | 66 | X | 71973-1833 | X | 71973-1933 | X | 71973-2033 | 3.200 (81.28) | 3.295 (83.69) | | |
| 5 | 10 | X | 71973-1805 | X | 71973-1905 | X | 71973-2005 | .400 (10.16) | .495 (12.57) | | 34 | 68 | X | 71973-1834 | X | 71973-1934 | X | 71973-2034 | 3.300 (83.82) | 3.395 (86.23) | | |
| 6 | 12 | X | 71973-1806 | X | 71973-1906 | X | 71973-2006 | .500 (12.70) | .595 (15.11) | | 35 | 70 | X | 71973-1835 | X | 71973-1935 | X | 71973-2035 | 3.400 (86.36) | 3.495 (88.77) | | |
| 7 | 14 | X | 71973-1807 | X | 71973-1907 | X | 71973-2007 | .600 (15.24) | .695 (17.65) | | 36 | 72 | X | 71973-1836 | X | 71973-1936 | X | 71973-2036 | 3.500 (88.90) | 3.595 (91.31) | | |
| 8 | 16 | X | 71973-1808 | X | 71973-1908 | X | 71973-2008 | .700 (17.78) | .795 (20.19) | | | | | | | | | | | | | |
| 9 | 18 | X | 71973-1809 | X | 71973-1909 | X | 71973-2009 | .800 (20.32) | .895 (22.73) | | | | | | | | | | | | | |
| 10 | 20 | X | 71973-1810 | X | 71973-1910 | X | 71973-2010 | .900 (22.86) | .995 (25.27) | | | | | | | | | | | | | |
| 11 | 22 | X | 71973-1811 | X | 71973-1911 | X | 71973-2011 | 1.000 (25.40) | 1.095 (27.81) | | | | | | | | | | | | | |
| 12 | 24 | X | 71973-1812 | X | 71973-1912 | X | 71973-2012 | 1.100 (27.94) | 1.195 (30.35) | | | | | | | | | | | | | |
| 13 | 26 | X | 71973-1813 | X | 71973-1913 | X | 71973-2013 | 1.200 (30.48) | 1.295 (32.89) | | | | | | | | | | | | | |
| 14 | 28 | X | 71973-1814 | X | 71973-1914 | X | 71973-2014 | 1.300 (33.02) | 1.395 (35.43) | | | | | | | | | | | | | |
| 15 | 30 | X | 71973-1815 | X | 71973-1915 | X | 71973-2015 | 1.400 (35.56) | 1.495 (37.97) | | | | | | | | | | | | | |
| 16 | 32 | X | 71973-1816 | X | 71973-1916 | X | 71973-2016 | 1.500 (38.10) | 1.595 (40.51) | | | | | | | | | | | | | |
| 17 | 34 | X | 71973-1817 | X | 71973-1917 | X | 71973-2017 | 1.600 (40.64) | 1.695 (43.05) | | | | | | | | | | | | | |
| 18 | 36 | X | 71973-1818 | X | 71973-1918 | X | 71973-2018 | 1.700 (43.18) | 1.795 (45.59) | | | | | | | | | | | | | |
| 19 | 38 | X | 71973-1819 | X | 71973-1919 | X | 71973-2019 | 1.800 (45.72) | 1.895 (48.13) | | | | | | | | | | | | | |
| 20 | 40 | X | 71973-1820 | X | 71973-1920 | X | 71973-2020 | 1.900 (48.26) | 1.995 (50.67) | | | | | | | | | | | | | |
| 21 | 42 | X | 71973-1821 | X | 71973-1921 | X | 71973-2021 | 2.000 (50.80) | 2.095 (53.21) | | | | | | | | | | | | | |
| 22 | 44 | X | 71973-1822 | X | 71973-1922 | X | 71973-2022 | 2.100 (53.34) | 2.195 (55.75) | | | | | | | | | | | | | |
| 23 | 46 | X | 71973-1823 | X | 71973-1923 | X | 71973-2023 | 2.200 (55.88) | 2.295 (58.29) | | | | | | | | | | | | | |
| 24 | 48 | X | 71973-1824 | X | 71973-1924 | X | 71973-2024 | 2.300 (58.42) | 2.395 (60.83) | | | | | | | | | | | | | |
| 25 | 50 | X | 71973-1825 | X | 71973-1925 | X | 71973-2025 | 2.400 (60.96) | 2.495 (63.37) | | | | | | | | | | | | | |
| 26 | 52 | X | 71973-1826 | X | 71973-1926 | X | 71973-2026 | 2.500 (63.50) | 2.595 (65.91) | | | | | | | | | | | | | |
| 27 | 54 | X | 71973-1827 | X | 71973-1927 | X | 71973-2027 | 2.600 (66.04) | 2.695 (68.45) | | | | | | | | | | | | | |
| 28 | 56 | X | 71973-1828 | X | 71973-1928 | X | 71973-2028 | 2.700 (68.58) | 2.795 (70.99) | | | | | | | | | | | | | |
| 29 | 58 | X | 71973-1829 | X | 71973-1929 | X | 71973-2029 | 2.800 (71.12) | 2.895 (73.53) | | | | | | | | | | | | | |
| 30 | 60 | X | 71973-1830 | X | 71973-1930 | X | 71973-2030 | 2.900 (73.66) | 2.995 (76.07) | | | | | | | | | | | | | |
| 31 | 62 | X | 71973-1831 | X | 71973-1931 | X | 71973-2031 | 3.000 (76.20) | 3.095 (78.61) | | | | | | | | | | | | | |
| 32 | 64 | X | 71973-1832 | X | 71973-1932 | X | 71973-2032 | 3.100 (78.74) | 3.195 (81.15) | | | | | | | | | | | | | |

| | | | | | | | |
|--|--|---|--|---|--|-----------------------|--|
| *X* INDICATES TOOLING IS NOT AVAILABLE ADD OPTION K & L EC NO: S2010-0534 DRWN:SKANG 2009/12/30 CHKD:ATSEE 2010/01/08 APPR:MLONG 2010/01/14 | QUALITY SYMBOLS $F_A=0$ $F_G=0$ $F_P=0$ | GENERAL TOLERANCES (UNLESS SPECIFIED) mm INCH 4 PLACES ± --- ± --- 3 PLACES ± --- ± .010 2 PLACES ± 0.25 ± --- 1 PLACE ± --- ± --- ANGULAR ± 1/2° | DIMENSION STYLE IN/MM DRAWN BY DATE DJB 1991/10/21 CHECKED BY DATE DJB 1991/10/21 APPROVED BY DATE MLONG 2010/01/14 | SCALE NTS DESIGN UNITS INCH THIRD ANGLE PROJECTION | TITLE EARLY ENTRY R/A RECPT .120"PC TAIL W/O LOWER ROW PINSTOP-.100" GRID MOLEX INCORPORATED DOCUMENT NO. SDA-71973-**** | SHEET NO. 12 OF 26 | |
| | DRAFT WHERE APPLICABLE MUST REMAIN WITHIN DIMENSIONS | | SEE TABLE | THIS DRAWING CONTAINS INFORMATION THAT IS PROPRIETARY TO MOLEX INCORPORATED AND SHOULD NOT BE USED WITHOUT WRITTEN PERMISSION | | | |
| | REV K | | | | | | |
| | | | | | | | |

| 10 | | 9 | | | 8 | | | 7 | | | 6 | | | 5 | | | 4 | | | 3 | | | 2 | | | 1 | | | | | | | |
|-------------|-------|---|------------|---|------------|---|------------|------------------|------------------|------------------|-----------|---|--|----|---------|-------|-------------|---|---|---------|------------|------------------|------------------|--|------------------|---|---|-----------|---|--|--|--|--|
| NO. OF CKTS | | OPTION D ASSEMBLY PACKAGED IN TUBES PER PK-70873-0139 (SEE SHEET 1 FOR FINISH SPECIFICATIONS) | | | | | | | | | DIMENSION | | | | | | NO. OF CKTS | | OPTION D ASSEMBLY PACKAGED IN TUBES PER PK-70873-0139 (SEE SHEET 1 FOR FINISH SPECIFICATIONS) | | | | | | | | | DIMENSION | | | | | |
| PER ROW | TOTAL | 15 GOLD | | | 30 GOLD | | | 50 GOLD | | | A | B | | D | PER ROW | TOTAL | 15 GOLD | | | 30 GOLD | | | 50 GOLD | | | A | B | | D | | | | |
| 4 | 8 | X | 71973-2604 | X | 71973-2704 | X | 71973-2804 | .300 (7.62) | .395 (10.03) | .658 (16.71) | | | | 33 | 66 | X | 71973-2633 | X | 71973-2733 | X | 71973-2833 | 3.200 (81.28) | 3.295 (83.69) | | 3.558 (90.37) | | | | | | | | |
| 5 | 10 | X | 71973-2605 | X | 71973-2705 | X | 71973-2805 | .400 (10.16) | .495 (12.57) | .758 (19.25) | | | | 34 | 68 | X | 71973-2634 | X | 71973-2734 | X | 71973-2834 | 3.300 (83.82) | 3.395 (86.23) | | 3.658 (92.91) | | | | | | | | |
| 6 | 12 | X | 71973-2606 | X | 71973-2706 | X | 71973-2806 | .500 (12.70) | .595 (15.11) | .858 (21.79) | | | | 35 | 70 | X | 71973-2635 | X | 71973-2735 | X | 71973-2835 | 3.400 (86.36) | 3.495 (88.77) | | 3.758 (95.45) | | | | | | | | |
| 7 | 14 | X | 71973-2607 | X | 71973-2707 | X | 71973-2807 | .600 (15.24) | .695 (17.65) | .958 (24.33) | | | | 36 | 72 | X | 71973-2636 | X | 71973-2736 | X | 71973-2836 | 3.500 (88.90) | 3.595 (91.31) | | 3.858 (97.99) | | | | | | | | |
| 8 | 16 | X | 71973-2608 | X | 71973-2708 | X | 71973-2808 | .700 (17.78) | .795 (20.19) | 1.058 (26.87) | | | | | | | | | | | | | | | | | | | | | | | |
| 9 | 18 | X | 71973-2609 | X | 71973-2709 | X | 71973-2809 | .800 (20.32) | .895 (22.73) | 1.158 (29.41) | | | | | | | | | | | | | | | | | | | | | | | |
| 10 | 20 | X | 71973-2610 | X | 71973-2710 | X | 71973-2810 | .900 (22.86) | .995 (25.27) | 1.258 (31.95) | | | | | | | | | | | | | | | | | | | | | | | |
| 11 | 22 | X | 71973-2611 | X | 71973-2711 | X | 71973-2811 | 1.000 (25.40) | 1.095 (27.81) | 1.358 (34.49) | | | | | | | | | | | | | | | | | | | | | | | |
| 12 | 24 | X | 71973-2612 | X | 71973-2712 | X | 71973-2812 | 1.100 (27.94) | 1.195 (30.35) | 1.458 (37.03) | | | | | | | | | | | | | | | | | | | | | | | |
| 13 | 26 | X | 71973-2613 | X | 71973-2713 | X | 71973-2813 | 1.200 (30.48) | 1.295 (32.89) | 1.558 (39.57) | | | | | | | | | | | | | | | | | | | | | | | |
| 14 | 28 | X | 71973-2614 | X | 71973-2714 | X | 71973-2814 | 1.300 (33.02) | 1.395 (35.43) | 1.658 (42.11) | | | | | | | | | | | | | | | | | | | | | | | |
| 15 | 30 | X | 71973-2615 | X | 71973-2715 | X | 71973-2815 | 1.400 (35.56) | 1.495 (37.97) | 1.758 (44.65) | | | | | | | | | | | | | | | | | | | | | | | |
| 16 | 32 | X | 71973-2616 | X | 71973-2716 | X | 71973-2816 | 1.500 (38.10) | 1.595 (40.51) | 1.858 (47.19) | | | | | | | | | | | | | | | | | | | | | | | |
| 17 | 34 | X | 71973-2617 | X | 71973-2717 | X | 71973-2817 | 1.600 (40.64) | 1.695 (43.05) | 1.958 (49.73) | | | | | | | | | | | | | | | | | | | | | | | |
| 18 | 36 | X | 71973-2618 | X | 71973-2718 | X | 71973-2818 | 1.700 (43.18) | 1.795 (45.59) | 2.058 (52.27) | | | | | | | | | | | | | | | | | | | | | | | |
| 19 | 38 | X | 71973-2619 | X | 71973-2719 | X | 71973-2819 | 1.800 (45.72) | 1.895 (48.13) | 2.158 (54.81) | | | | | | | | | | | | | | | | | | | | | | | |
| 20 | 40 | X | 71973-2620 | X | 71973-2720 | X | 71973-2820 | 1.900 (48.26) | 1.995 (50.67) | 2.258 (57.35) | | | | | | | | | | | | | | | | | | | | | | | |
| 21 | 42 | X | 71973-2621 | X | 71973-2721 | X | 71973-2821 | 2.000 (50.80) | 2.095 (53.21) | 2.358 (59.89) | | | | | | | | | | | | | | | | | | | | | | | |
| 22 | 44 | X | 71973-2622 | X | 71973-2722 | X | 71973-2822 | 2.100 (53.34) | 2.195 (55.75) | 2.458 (62.43) | | | | | | | | | | | | | | | | | | | | | | | |
| 23 | 46 | X | 71973-2623 | X | 71973-2723 | X | 71973-2823 | 2.200 (55.88) | 2.295 (58.29) | 2.558 (64.97) | | | | | | | | | | | | | | | | | | | | | | | |
| 24 | 48 | X | 71973-2624 | X | 71973-2724 | X | 71973-2824 | 2.300 (58.42) | 2.395 (60.83) | 2.658 (67.51) | | | | | | | | | | | | | | | | | | | | | | | |
| 25 | 50 | X | 71973-2625 | X | 71973-2725 | X | 71973-2825 | 2.400 (60.96) | 2.495 (63.37) | 2.758 (70.05) | | | | | | | | | | | | | | | | | | | | | | | |
| 26 | 52 | X | 71973-2626 | X | 71973-2726 | X | 71973-2826 | 2.500 (63.50) | 2.595 (65.91) | 2.858 (72.59) | | | | | | | | | | | | | | | | | | | | | | | |
| 27 | 54 | X | 71973-2627 | X | 71973-2727 | X | 71973-2827 | 2.600 (66.04) | 2.695 (68.45) | 2.958 (75.13) | | | | | | | | | | | | | | | | | | | | | | | |
| 28 | 56 | X | 71973-2628 | X | 71973-2728 | X | 71973-2828 | 2.700 (68.58) | 2.795 (70.99) | 3.058 (77.67) | | | | | | | | | | | | | | | | | | | | | | | |
| 29 | 58 | X | 71973-2629 | X | 71973-2729 | X | 71973-2829 | 2.800 (71.12) | 2.895 (73.53) | 3.158 (80.21) | | | | | | | | | | | | | | | | | | | | | | | |
| 30 | 60 | X | 71973-2630 | X | 71973-2730 | X | 71973-2830 | 2.900 (73.66) | 2.995 (76.07) | 3.258 (82.75) | | | | | | | | | | | | | | | | | | | | | | | |
| 31 | 62 | X | 71973-2631 | X | 71973-2731 | X | 71973-2831 | 3.000 (76.20) | 3.095 (78.61) | 3.358 (85.29) | | | | | | | | | | | | | | | | | | | | | | | |
| 32 | 64 | X | 71973-2632 | X | 71973-2732 | X | 71973-2832 | 3.100 (78.74) | 3.195 (81.15) | 3.458 (87.83) | | | | | | | | | | | | | | | | | | | | | | | |

| | | | | | | | | | | |
|---|---|--|--|--------------|----------------------|------------------------|--|---------------------------|--------------------------------|-----------------------|
| ADD OPTION K & L EC NO: S2010-0534 DRWN:SKANG 2009/12/30 CHKD:ATSEE 2010/01/08 APPR:MLONG 2010/01/14 K | QUALITY SYMBOLS $F_A = 0$ $F_G = 0$ $F_P = 0$ | GENERAL TOLERANCES (UNLESS SPECIFIED) mm INCH 4 PLACES ± --- ± --- 3 PLACES ± --- ± .010 2 PLACES ± 0.25 ± --- 1 PLACE ± --- ± --- ANGULAR ± 1/2° | DIMENSION STYLE IN/MM DRAWN BY: DJB DATE: 1991/10/21 CHECKED BY: DJB DATE: 1991/10/21 APPROVED BY: MLONG DATE: 2010/01/14 | SCALE NTS | DESIGN UNITS INCH | THIRD ANGLE PROJECTION | TITLE EARLY ENTRY R/A RECPT .120"PC TAIL W/O LOWER ROW PINSTOP-.100" GRID | MATERIAL NO. SEE TABLE | DOCUMENT NO. SDA-71973-**** | SHEET NO. 13 OF 26 |
| | DRAFT WHERE APPLICABLE MUST REMAIN WITHIN DIMENSIONS | | | | | | | | | |
| | THIS DRAWING CONTAINS INFORMATION THAT IS PROPRIETARY TO MOLEX INCORPORATED AND SHOULD NOT BE USED WITHOUT WRITTEN PERMISSION | | | | | | | | | |
| | *X* INDICATES TOOLING IS NOT AVAILABLE | | | | | | | | | |

| NO. OF CKTS | | OPTION C ASSEMBLY PACKAGED IN TRAYS PER PK-70873-0239 (SEE SHEET 1 FOR FINISH SPECIFICATIONS) | | | | | DIMENSION | | | |
|-------------|-------|---|------------|------------|------------------|------------------|-----------|--|--|--|
| PER ROW | TOTAL | | | | A | B | | | | |
| | | 15 GOLD | 30 GOLD | 50 GOLD | | | | | | |
| 4 | 8 | 71973-7404 | 71973-7504 | 71973-7604 | .300 (7.62) | .395 (10.03) | | | | |
| 5 | 10 | 71973-7405 | 71973-7505 | 71973-7605 | .400 (10.16) | .495 (12.57) | | | | |
| 6 | 12 | 71973-7406 | 71973-7506 | 71973-7606 | .500 (12.70) | .595 (15.11) | | | | |
| 7 | 14 | 71973-7407 | 71973-7507 | 71973-7607 | .600 (15.24) | .695 (17.65) | | | | |
| 8 | 16 | 71973-7408 | 71973-7508 | 71973-7608 | .700 (17.78) | .795 (20.19) | | | | |
| 9 | 18 | 71973-7409 | 71973-7509 | 71973-7609 | .800 (20.32) | .895 (22.73) | | | | |
| 10 | 20 | 71973-7410 | 71973-7510 | 71973-7610 | .900 (22.86) | .995 (25.27) | | | | |
| 11 | 22 | 71973-7411 | 71973-7511 | 71973-7611 | 1.000 (25.40) | 1.095 (27.81) | | | | |
| 12 | 24 | 71973-7412 | 71973-7512 | 71973-7612 | 1.100 (27.94) | 1.195 (30.35) | | | | |
| 13 | 26 | 71973-7413 | 71973-7513 | 71973-7613 | 1.200 (30.48) | 1.295 (32.89) | | | | |
| 14 | 28 | 71973-7414 | 71973-7514 | 71973-7614 | 1.300 (33.02) | 1.395 (35.43) | | | | |
| 15 | 30 | 71973-7415 | 71973-7515 | 71973-7615 | 1.400 (35.56) | 1.495 (37.97) | | | | |
| 16 | 32 | 71973-7416 | 71973-7516 | 71973-7616 | 1.500 (38.10) | 1.595 (40.51) | | | | |
| 17 | 34 | 71973-7417 | 71973-7517 | 71973-7617 | 1.600 (40.64) | 1.695 (43.05) | | | | |
| 18 | 36 | 71973-7418 | 71973-7518 | 71973-7618 | 1.700 (43.18) | 1.795 (45.59) | | | | |
| 19 | 38 | 71973-7419 | 71973-7519 | 71973-7619 | 1.800 (45.72) | 1.895 (48.13) | | | | |
| 20 | 40 | 71973-7420 | 71973-7520 | 71973-7620 | 1.900 (48.26) | 1.995 (50.67) | | | | |
| 21 | 42 | 71973-7421 | 71973-7521 | 71973-7621 | 2.000 (50.80) | 2.095 (53.21) | | | | |
| 22 | 44 | 71973-7422 | 71973-7522 | 71973-7622 | 2.100 (53.34) | 2.195 (55.75) | | | | |
| 23 | 46 | 71973-7423 | 71973-7523 | 71973-7623 | 2.200 (55.88) | 2.295 (58.29) | | | | |
| 24 | 48 | 71973-7424 | 71973-7524 | 71973-7624 | 2.300 (58.42) | 2.395 (60.83) | | | | |
| 25 | 50 | 71973-7425 | 71973-7525 | 71973-7625 | 2.400 (60.96) | 2.495 (63.37) | | | | |
| 26 | 52 | 71973-7426 | 71973-7526 | 71973-7626 | 2.500 (63.50) | 2.595 (65.91) | | | | |
| 27 | 54 | 71973-7427 | 71973-7527 | 71973-7627 | 2.600 (66.04) | 2.695 (68.45) | | | | |
| 28 | 56 | 71973-7428 | 71973-7528 | 71973-7628 | 2.700 (68.58) | 2.795 (70.99) | | | | |
| 29 | 58 | 71973-7429 | 71973-7529 | 71973-7629 | 2.800 (71.12) | 2.895 (73.53) | | | | |
| 30 | 60 | 71973-7430 | 71973-7530 | 71973-7630 | 2.900 (73.66) | 2.995 (76.07) | | | | |
| 31 | 62 | 71973-7431 | 71973-7531 | 71973-7631 | 3.000 (76.20) | 3.095 (78.61) | | | | |
| 32 | 64 | 71973-7432 | 71973-7532 | 71973-7632 | 3.100 (78.74) | 3.195 (81.15) | | | | |

| NO. OF CKTS | | OPTION C ASSEMBLY PACKAGED IN TRAYS PER PK-70873-0239 (SEE SHEET 1 FOR FINISH SPECIFICATIONS) | | | | | DIMENSION | | | |
|-------------|-------|---|------------|------------|------------------|------------------|-----------|--|--|--|
| PER ROW | TOTAL | | | | A | B | | | | |
| | | 15 GOLD | 30 GOLD | 50 GOLD | | | | | | |
| 33 | 66 | 71973-7433 | 71973-7533 | 71973-7633 | 3.200 (81.28) | 3.295 (83.69) | | | | |
| 34 | 68 | 71973-7434 | 71973-7534 | 71973-7634 | 3.300 (83.82) | 3.395 (86.23) | | | | |
| 35 | 70 | 71973-7435 | 71973-7535 | 71973-7635 | 3.400 (86.36) | 3.495 (88.77) | | | | |
| 36 | 72 | 71973-7436 | 71973-7536 | 71973-7636 | 3.500 (88.90) | 3.595 (91.31) | | | | |

| ADD OPTION K & L EC NO: S2010-0534 DRWN:SKANG 2009/12/30 CHKD:ATSEE 2010/01/08 APPR:MLONG 2010/01/14 | QUALITY SYMBOLS $F_A=0$ $F_C=0$ $F_P=0$ | GENERAL TOLERANCES (UNLESS SPECIFIED) | | DIMENSION STYLE IN/MM | | SCALE NTS | DESIGN UNITS INCH | THIRD ANGLE PROJECTION | | | | | | | | | | | |
|---|--|--|--------------------|---------------------------------|------|----------------|----------------------|------------------------|--------|-----------------|-------|---------------|-------|-----------------|--------------------|--|--|--|--|
| | | <table border="1"> <tr><th>mm</th><th>INCH</th></tr> <tr><td>4 PLACES ± ---</td><td>± ---</td></tr> <tr><td>3 PLACES ± ---</td><td>± .010</td></tr> <tr><td>2 PLACES ± 0.25</td><td>± ---</td></tr> <tr><td>1 PLACE ± ---</td><td>± ---</td></tr> </table> | | mm | INCH | 4 PLACES ± --- | ± --- | 3 PLACES ± --- | ± .010 | 2 PLACES ± 0.25 | ± --- | 1 PLACE ± --- | ± --- | DRAWN BY DJB | DATE 1991/10/21 | TITLE EARLY ENTRY R/A RECPT .120"PC TAIL W/O LOWER ROW PINSTOP-.100" GRID | | | |
| | | mm | INCH | | | | | | | | | | | | | | | | |
| | | 4 PLACES ± --- | ± --- | | | | | | | | | | | | | | | | |
| 3 PLACES ± --- | ± .010 | | | | | | | | | | | | | | | | | | |
| 2 PLACES ± 0.25 | ± --- | | | | | | | | | | | | | | | | | | |
| 1 PLACE ± --- | ± --- | | | | | | | | | | | | | | | | | | |
| ANGULAR ± 1/2° | | CHECKED BY DJB | DATE 1991/10/21 | APPROVED BY MLONG 2010/01/14 | | | | | | | | | | | | | | | |
| DRAFT WHERE APPLICABLE MUST REMAIN WITHIN DIMENSIONS | | SEE TABLE | | MATERIAL NO. | | DOCUMENT NO. | | SHEET NO. | | | | | | | | | | | |

| 10 | | 9 | | 8 | | 7 | | 6 | | 5 | | 4 | | 3 | | 2 | | 1 | | | | | | | |
|-------------|-------|---|--|------------|------------|------------|------------------|------------------|---|---|------------------|-------------|---------|---|---------|------------|------------|------------|---------|-----------|------------------|------------------|--|--|------------------|
| NO. OF CKTS | | OPTION D ASSEMBLY PACKAGED IN TRAYS PER PK-70873-0239 (SEE SHEET I FOR FINISH SPECIFICATIONS) | | | | | | DIMENSION | | | | NO. OF CKTS | | OPTION D ASSEMBLY PACKAGED IN TRAYS PER PK-70873-0239 (SEE SHEET I FOR FINISH SPECIFICATIONS) | | | | | | DIMENSION | | | | | |
| PER ROW | TOTAL | 15 GOLD | | 30 GOLD | | 50 GOLD | | A | B | | | D | PER ROW | TOTAL | 15 GOLD | | 30 GOLD | | 50 GOLD | | A | B | | | D |
| 4 | 8 | | | 71973-7804 | 71973-7904 | 71973-8004 | .300 (7.62) | .395 (10.03) | | | .658 (16.71) | 33 | 66 | | | 71973-7833 | 71973-7933 | 71973-8033 | | | 3.200 (81.28) | 3.295 (83.69) | | | 3.558 (90.37) |
| 5 | 10 | | | 71973-7805 | 71973-7905 | 71973-8005 | .400 (10.16) | .495 (12.57) | | | .758 (19.25) | 34 | 68 | | | 71973-7834 | 71973-7934 | 71973-8034 | | | 3.300 (83.82) | 3.395 (86.23) | | | 3.658 (92.91) |
| 6 | 12 | | | 71973-7806 | 71973-7906 | 71973-8006 | .500 (12.70) | .595 (15.11) | | | .858 (21.79) | 35 | 70 | | | 71973-7835 | 71973-7935 | 71973-8035 | | | 3.400 (86.36) | 3.495 (88.77) | | | 3.758 (95.45) |
| 7 | 14 | | | 71973-7807 | 71973-7907 | 71973-8007 | .600 (15.24) | .695 (17.65) | | | .958 (24.33) | 36 | 72 | | | 71973-7836 | 71973-7936 | 71973-8036 | | | 3.500 (88.90) | 3.595 (91.31) | | | 3.858 (97.99) |
| 8 | 16 | | | 71973-7808 | 71973-7908 | 71973-8008 | .700 (17.78) | .795 (20.19) | | | 1.058 (26.87) | | | | | | | | | | | | | | |
| 9 | 18 | | | 71973-7809 | 71973-7909 | 71973-8009 | .800 (20.32) | .895 (22.73) | | | 1.158 (29.41) | | | | | | | | | | | | | | |
| 10 | 20 | | | 71973-7810 | 71973-7910 | 71973-8010 | .900 (22.86) | .995 (25.27) | | | 1.258 (31.95) | | | | | | | | | | | | | | |
| 11 | 22 | | | 71973-7811 | 71973-7911 | 71973-8011 | 1.000 (25.40) | 1.095 (27.81) | | | 1.358 (34.49) | | | | | | | | | | | | | | |
| 12 | 24 | | | 71973-7812 | 71973-7912 | 71973-8012 | 1.100 (27.94) | 1.195 (30.35) | | | 1.458 (37.03) | | | | | | | | | | | | | | |
| 13 | 26 | | | 71973-7813 | 71973-7913 | 71973-8013 | 1.200 (30.48) | 1.295 (32.89) | | | 1.558 (39.57) | | | | | | | | | | | | | | |
| 14 | 28 | | | 71973-7814 | 71973-7914 | 71973-8014 | 1.300 (33.02) | 1.395 (35.43) | | | 1.658 (42.11) | | | | | | | | | | | | | | |
| 15 | 30 | | | 71973-7815 | 71973-7915 | 71973-8015 | 1.400 (35.56) | 1.495 (37.97) | | | 1.758 (44.65) | | | | | | | | | | | | | | |
| 16 | 32 | | | 71973-7816 | 71973-7916 | 71973-8016 | 1.500 (38.10) | 1.595 (40.51) | | | 1.858 (47.19) | | | | | | | | | | | | | | |
| 17 | 34 | | | 71973-7817 | 71973-7917 | 71973-8017 | 1.600 (40.64) | 1.695 (43.05) | | | 1.958 (49.73) | | | | | | | | | | | | | | |
| 18 | 36 | | | 71973-7818 | 71973-7918 | 71973-8018 | 1.700 (43.18) | 1.795 (45.59) | | | 2.058 (52.27) | | | | | | | | | | | | | | |
| 19 | 38 | | | 71973-7819 | 71973-7919 | 71973-8019 | 1.800 (45.72) | 1.895 (48.13) | | | 2.158 (54.81) | | | | | | | | | | | | | | |
| 20 | 40 | | | 71973-7820 | 71973-7920 | 71973-8020 | 1.900 (48.26) | 1.995 (50.67) | | | 2.258 (57.35) | | | | | | | | | | | | | | |
| 21 | 42 | | | 71973-7821 | 71973-7921 | 71973-8021 | 2.000 (50.80) | 2.095 (53.21) | | | 2.358 (59.89) | | | | | | | | | | | | | | |
| 22 | 44 | | | 71973-7822 | 71973-7922 | 71973-8022 | 2.100 (53.34) | 2.195 (55.75) | | | 2.458 (62.43) | | | | | | | | | | | | | | |
| 23 | 46 | | | 71973-7823 | 71973-7923 | 71973-8023 | 2.200 (55.88) | 2.295 (58.29) | | | 2.558 (64.97) | | | | | | | | | | | | | | |
| 24 | 48 | | | 71973-7824 | 71973-7924 | 71973-8024 | 2.300 (58.42) | 2.395 (60.83) | | | 2.658 (67.51) | | | | | | | | | | | | | | |
| 25 | 50 | | | 71973-7825 | 71973-7925 | 71973-8025 | 2.400 (60.96) | 2.495 (63.37) | | | 2.758 (70.05) | | | | | | | | | | | | | | |
| 26 | 52 | | | 71973-7826 | 71973-7926 | 71973-8026 | 2.500 (63.50) | 2.595 (65.91) | | | 2.858 (72.59) | | | | | | | | | | | | | | |
| 27 | 54 | | | 71973-7827 | 71973-7927 | 71973-8027 | 2.600 (66.04) | 2.695 (68.45) | | | 2.958 (75.13) | | | | | | | | | | | | | | |
| 28 | 56 | | | 71973-7828 | 71973-7928 | 71973-8028 | 2.700 (68.58) | 2.795 (70.99) | | | 3.058 (77.67) | | | | | | | | | | | | | | |
| 29 | 58 | | | 71973-7829 | 71973-7929 | 71973-8029 | 2.800 (71.12) | 2.895 (73.53) | | | 3.158 (80.21) | | | | | | | | | | | | | | |
| 30 | 60 | | | 71973-7830 | 71973-7930 | 71973-8030 | 2.900 (73.66) | 2.995 (76.07) | | | 3.258 (82.75) | | | | | | | | | | | | | | |
| 31 | 62 | | | 71973-7831 | 71973-7931 | 71973-8031 | 3.000 (76.20) | 3.095 (78.61) | | | 3.358 (85.29) | | | | | | | | | | | | | | |
| 32 | 64 | | | 71973-7832 | 71973-7932 | 71973-8032 | 3.100 (78.74) | 3.195 (81.15) | | | 3.458 (87.83) | | | | | | | | | | | | | | |

| | | | | | | | |
|--|-------------------------------------|---|--|---|-----------------------------|------------------------|--|
| ADD OPTION K & L EC NO: S2010-0534 DRWN:SKANG 2009/12/30 CHKD:ATSEE 2010/01/08 APPR:MLONG 2010/01/14 | QUALITY SYMBOLS | GENERAL TOLERANCES (UNLESS SPECIFIED) | DIMENSION STYLE | SCALE | DESIGN UNITS | THIRD ANGLE PROJECTION | |
| | $F_A = 0$ $F_G = 0$ $F_P = 0$ | mm INCH 4 PLACES ± --- ± --- 3 PLACES ± --- ± .010 2 PLACES ± 0.25 ± --- 1 PLACE ± --- ± --- ANGULAR ± 1/2° | IN/MM DRAWN BY DATE DJB 1991/10/21 CHECKED BY DATE DJB 1991/10/21 APPROVED BY DATE MLONG 2010/01/14 | NTS TITLE EARLY ENTRY R/A RECPT .120"PC TAIL W/O LOWER ROW PINSTOP-.100" GRID | MOLEX MOLEX INCORPORATED | | |
| | | DRAFT WHERE APPLICABLE MUST REMAIN WITHIN DIMENSIONS | SEE TABLE | MATERIAL NO. SDA-71973-**** | SHEET NO. 15 OF 26 | | |
| | | | THIS DRAWING CONTAINS INFORMATION THAT IS PROPRIETARY TO MOLEX INCORPORATED AND SHOULD NOT BE USED WITHOUT WRITTEN PERMISSION | | | | |

| 10 | | 9 | | 8 | | 7 | | 6 | | 5 | | 4 | | 3 | | 2 | | 1 | | | | | | | | | | | |
|-------------|-------|---|--|------------|------------|------------|------------------|------------------|---|---|--|-------------|--|---|------------|------------|------------|------------------|------------------|-----------|---|--|--|--|--|--|--|--|--|
| NO. OF CKTS | | OPTION E ASSEMBLY PACKAGED IN TUBES PER PK-70873-0138 (SEE SHEET I FOR FINISH SPECIFICATIONS) | | | | | | DIMENSION | | | | NO. OF CKTS | | OPTION E ASSEMBLY PACKAGED IN TUBES PER PK-70873-0138 (SEE SHEET I FOR FINISH SPECIFICATIONS) | | | | | | DIMENSION | | | | | | | | | |
| PER ROW | TOTAL | 15 GOLD | | 30 GOLD | | 50 GOLD | | A | B | | | | | 15 GOLD | | 30 GOLD | | 50 GOLD | | A | B | | | | | | | | |
| 4 | 8 | | | 71973-3404 | 71973-3504 | 71973-3604 | .300 (7.62) | .395 (10.03) | | | | | | | 71973-3434 | 71973-3534 | 71973-3634 | 3.300 (83.82) | 3.395 (86.23) | | | | | | | | | | |
| 5 | 10 | | | 71973-3405 | 71973-3505 | 71973-3605 | .400 (10.16) | .495 (12.57) | | | | | | | 71973-3435 | 71973-3535 | 71973-3635 | 3.400 (86.36) | 3.495 (88.77) | | | | | | | | | | |
| 6 | 12 | | | 71973-3406 | 71973-3506 | 71973-3606 | .500 (12.70) | .595 (15.11) | | | | | | | 71973-3436 | 71973-3536 | 71973-3636 | 3.500 (88.90) | 3.595 (91.31) | | | | | | | | | | |
| 7 | 14 | | | 71973-3407 | 71973-3507 | 71973-3607 | .600 (15.24) | .695 (17.65) | | | | | | | | | | | | | | | | | | | | | |
| 8 | 16 | | | 71973-3408 | 71973-3508 | 71973-3608 | .700 (17.78) | .795 (20.19) | | | | | | | | | | | | | | | | | | | | | |
| 9 | 18 | | | 71973-3409 | 71973-3509 | 71973-3609 | .800 (20.32) | .895 (22.73) | | | | | | | | | | | | | | | | | | | | | |
| 10 | 20 | | | 71973-3410 | 71973-3510 | 71973-3610 | .900 (22.86) | .995 (25.27) | | | | | | | | | | | | | | | | | | | | | |
| 11 | 22 | | | 71973-3411 | 71973-3511 | 71973-3611 | 1.000 (25.40) | 1.095 (27.81) | | | | | | | | | | | | | | | | | | | | | |
| 12 | 24 | | | 71973-3412 | 71973-3512 | 71973-3612 | 1.100 (27.94) | 1.195 (30.35) | | | | | | | | | | | | | | | | | | | | | |
| 13 | 26 | | | 71973-3413 | 71973-3513 | 71973-3613 | 1.200 (30.48) | 1.295 (32.89) | | | | | | | | | | | | | | | | | | | | | |
| 14 | 28 | | | 71973-3414 | 71973-3514 | 71973-3614 | 1.300 (33.02) | 1.395 (35.43) | | | | | | | | | | | | | | | | | | | | | |
| 15 | 30 | | | 71973-3415 | 71973-3515 | 71973-3615 | 1.400 (35.56) | 1.495 (37.97) | | | | | | | | | | | | | | | | | | | | | |
| 16 | 32 | | | 71973-3416 | 71973-3516 | 71973-3616 | 1.500 (38.10) | 1.595 (40.51) | | | | | | | | | | | | | | | | | | | | | |
| 17 | 34 | | | 71973-3417 | 71973-3517 | 71973-3617 | 1.600 (40.64) | 1.695 (43.05) | | | | | | | | | | | | | | | | | | | | | |
| 18 | 36 | | | 71973-3418 | 71973-3518 | 71973-3618 | 1.700 (43.18) | 1.795 (45.59) | | | | | | | | | | | | | | | | | | | | | |
| 19 | 38 | | | 71973-3419 | 71973-3519 | 71973-3619 | 1.800 (45.72) | 1.895 (48.13) | | | | | | | | | | | | | | | | | | | | | |
| 20 | 40 | | | 71973-3420 | 71973-3520 | 71973-3620 | 1.900 (48.26) | 1.995 (50.67) | | | | | | | | | | | | | | | | | | | | | |
| 21 | 42 | | | 71973-3421 | 71973-3521 | 71973-3621 | 2.000 (50.80) | 2.095 (53.21) | | | | | | | | | | | | | | | | | | | | | |
| 22 | 44 | | | 71973-3422 | 71973-3522 | 71973-3622 | 2.100 (53.34) | 2.195 (55.75) | | | | | | | | | | | | | | | | | | | | | |
| 23 | 46 | | | 71973-3423 | 71973-3523 | 71973-3623 | 2.200 (55.88) | 2.295 (58.29) | | | | | | | | | | | | | | | | | | | | | |
| 24 | 48 | | | 71973-3424 | 71973-3524 | 71973-3624 | 2.300 (58.42) | 2.395 (60.83) | | | | | | | | | | | | | | | | | | | | | |
| 25 | 50 | | | 71973-3425 | 71973-3525 | 71973-3625 | 2.400 (60.96) | 2.495 (63.37) | | | | | | | | | | | | | | | | | | | | | |
| 26 | 52 | | | 71973-3426 | 71973-3526 | 71973-3626 | 2.500 (63.50) | 2.595 (65.91) | | | | | | | | | | | | | | | | | | | | | |
| 27 | 54 | | | 71973-3427 | 71973-3527 | 71973-3627 | 2.600 (66.04) | 2.695 (68.45) | | | | | | | | | | | | | | | | | | | | | |
| 28 | 56 | | | 71973-3428 | 71973-3528 | 71973-3628 | 2.700 (68.58) | 2.795 (70.99) | | | | | | | | | | | | | | | | | | | | | |
| 29 | 58 | | | 71973-3429 | 71973-3529 | 71973-3629 | 2.800 (71.12) | 2.895 (73.53) | | | | | | | | | | | | | | | | | | | | | |
| 30 | 60 | | | 71973-3430 | 71973-3530 | 71973-3630 | 2.900 (73.66) | 2.995 (76.07) | | | | | | | | | | | | | | | | | | | | | |
| 31 | 62 | | | 71973-3431 | 71973-3531 | 71973-3631 | 3.000 (76.20) | 3.095 (78.61) | | | | | | | | | | | | | | | | | | | | | |
| 32 | 64 | | | 71973-3432 | 71973-3532 | 71973-3632 | 3.100 (78.74) | 3.195 (81.15) | | | | | | | | | | | | | | | | | | | | | |
| 33 | 66 | | | 71973-3433 | 71973-3533 | 71973-3633 | 3.200 (81.28) | 3.295 (83.69) | | | | | | | | | | | | | | | | | | | | | |

| | | | | | | | |
|---|--|---|---|---|---|------------------------|--|
| ADD OPTION K & L EC NO: S2010-0534 DRWN:SKANG 2009/12/30 CHKD:ATSEE 2010/01/08 APPR:MLONG 2010/01/14 K | QUALITY SYMBOLS | GENERAL TOLERANCES (UNLESS SPECIFIED) | DIMENSION STYLE IN/MM | SCALE NTS | DESIGN UNITS INCH | THIRD ANGLE PROJECTION | |
| | $F_A = 0$ $F_G = 0$ $F_P = 0$ | 4 PLACES ± --- ± --- 3 PLACES ± --- ± .010 2 PLACES ± 0.25 ± --- 1 PLACE ± --- ± --- ANGULAR ± 1/2° | DRAWN BY DJB DATE 1991/10/21 CHECKED BY DJB DATE 1991/10/21 APPROVED BY MLONG DATE 2010/01/14 | TITLE | EARLY ENTRY R/A RECPT .120"PC TAIL W/O LOWER ROW PINSTOP-.100" GRID MOLEX INCORPORATED | | |
| | DRAFT WHERE APPLICABLE MUST REMAIN WITHIN DIMENSIONS | SEE TABLE | MATERIAL NO. | DOCUMENT NO. | SHEET NO. | | |
| | | | SIZE A3 | THIS DRAWING CONTAINS INFORMATION THAT IS PROPRIETARY TO MOLEX INCORPORATED AND SHOULD NOT BE USED WITHOUT WRITTEN PERMISSION | | | |

| 10 | | 9 | | 8 | | 7 | | 6 | | 5 | | 4 | | 3 | | 2 | | 1 | | | | | | | | |
|-------------|-------|---|------------|------------|------------------|------------------|------------------|-----------|---|---|--|-------------|---------|---|------------|------------|------------|------------------|------------------|------------------|---|---|--|--|---|--|
| NO. OF CKTS | | OPTION F ASSEMBLY PACKAGED IN TUBES PER PK-70873-0139 (SEE SHEET I FOR FINISH SPECIFICATIONS) | | | | | | DIMENSION | | | | NO. OF CKTS | | OPTION F ASSEMBLY PACKAGED IN TUBES PER PK-70873-0139 (SEE SHEET I FOR FINISH SPECIFICATIONS) | | | | | | DIMENSION | | | | | | |
| PER ROW | TOTAL | 15 GOLD | | 30 GOLD | | 50 GOLD | | A | B | | | D | PER ROW | TOTAL | 15 GOLD | | 30 GOLD | | 50 GOLD | | A | B | | | D | |
| 4 | 8 | 71973-4204 | 71973-4304 | 71973-4404 | .300 (7.62) | .395 (10.03) | .658 (16.71) | | | | | | 34 | 68 | 71973-4234 | 71973-4334 | 71973-4434 | 3.300 (83.82) | 3.395 (86.23) | 3.658 (92.91) | | | | | | |
| 5 | 10 | 71973-4205 | 71973-4305 | 71973-4405 | .400 (10.16) | .495 (12.57) | .758 (19.25) | | | | | | 35 | 70 | 71973-4235 | 71973-4335 | 71973-4435 | 3.400 (86.36) | 3.495 (88.77) | 3.758 (95.45) | | | | | | |
| 6 | 12 | 71973-4206 | 71973-4306 | 71973-4406 | .500 (12.70) | .595 (15.11) | .858 (21.79) | | | | | | 36 | 72 | 71973-4236 | 71973-4336 | 71973-4436 | 3.500 (88.90) | 3.595 (91.31) | 3.858 (97.99) | | | | | | |
| 7 | 14 | 71973-4207 | 71973-4307 | 71973-4407 | .600 (15.24) | .695 (17.65) | .958 (24.33) | | | | | | | | | | | | | | | | | | | |
| 8 | 16 | 71973-4208 | 71973-4308 | 71973-4408 | .700 (17.78) | .795 (20.19) | 1.058 (26.87) | | | | | | | | | | | | | | | | | | | |
| 9 | 18 | 71973-4209 | 71973-4309 | 71973-4409 | .800 (20.32) | .895 (22.73) | 1.158 (29.41) | | | | | | | | | | | | | | | | | | | |
| 10 | 20 | 71973-4210 | 71973-4310 | 71973-4410 | .900 (22.86) | .995 (25.27) | 1.258 (31.95) | | | | | | | | | | | | | | | | | | | |
| 11 | 22 | 71973-4211 | 71973-4311 | 71973-4411 | 1.000 (25.40) | 1.095 (27.81) | 1.358 (34.49) | | | | | | | | | | | | | | | | | | | |
| 12 | 24 | 71973-4212 | 71973-4312 | 71973-4412 | 1.100 (27.94) | 1.195 (30.35) | 1.458 (37.03) | | | | | | | | | | | | | | | | | | | |
| 13 | 26 | 71973-4213 | 71973-4313 | 71973-4413 | 1.200 (30.48) | 1.295 (32.89) | 1.558 (39.57) | | | | | | | | | | | | | | | | | | | |
| 14 | 28 | 71973-4214 | 71973-4314 | 71973-4414 | 1.300 (33.02) | 1.395 (35.43) | 1.658 (42.11) | | | | | | | | | | | | | | | | | | | |
| 15 | 30 | 71973-4215 | 71973-4315 | 71973-4415 | 1.400 (35.56) | 1.495 (37.97) | 1.758 (44.65) | | | | | | | | | | | | | | | | | | | |
| 16 | 32 | 71973-4216 | 71973-4316 | 71973-4416 | 1.500 (38.10) | 1.595 (40.51) | 1.858 (47.19) | | | | | | | | | | | | | | | | | | | |
| 17 | 34 | 71973-4217 | 71973-4317 | 71973-4417 | 1.600 (40.64) | 1.695 (43.05) | 1.958 (49.73) | | | | | | | | | | | | | | | | | | | |
| 18 | 36 | 71973-4218 | 71973-4318 | 71973-4418 | 1.700 (43.18) | 1.795 (45.59) | 2.058 (52.27) | | | | | | | | | | | | | | | | | | | |
| 19 | 38 | 71973-4219 | 71973-4319 | 71973-4419 | 1.800 (45.72) | 1.895 (48.13) | 2.158 (54.81) | | | | | | | | | | | | | | | | | | | |
| 20 | 40 | 71973-4220 | 71973-4320 | 71973-4420 | 1.900 (48.26) | 1.995 (50.67) | 2.258 (57.35) | | | | | | | | | | | | | | | | | | | |
| 21 | 42 | 71973-4221 | 71973-4321 | 71973-4421 | 2.000 (50.80) | 2.095 (53.21) | 2.358 (59.89) | | | | | | | | | | | | | | | | | | | |
| 22 | 44 | 71973-4222 | 71973-4322 | 71973-4422 | 2.100 (53.34) | 2.195 (55.75) | 2.458 (62.43) | | | | | | | | | | | | | | | | | | | |
| 23 | 46 | 71973-4223 | 71973-4323 | 71973-4423 | 2.200 (55.88) | 2.295 (58.29) | 2.558 (64.97) | | | | | | | | | | | | | | | | | | | |
| 24 | 48 | 71973-4224 | 71973-4324 | 71973-4424 | 2.300 (58.42) | 2.395 (60.83) | 2.658 (67.51) | | | | | | | | | | | | | | | | | | | |
| 25 | 50 | 71973-4225 | 71973-4325 | 71973-4425 | 2.400 (60.96) | 2.495 (63.37) | 2.758 (70.05) | | | | | | | | | | | | | | | | | | | |
| 26 | 52 | 71973-4226 | 71973-4326 | 71973-4426 | 2.500 (63.50) | 2.595 (65.91) | 2.858 (72.59) | | | | | | | | | | | | | | | | | | | |
| 27 | 54 | 71973-4227 | 71973-4327 | 71973-4427 | 2.600 (66.04) | 2.695 (68.45) | 2.958 (75.13) | | | | | | | | | | | | | | | | | | | |
| 28 | 56 | 71973-4228 | 71973-4328 | 71973-4428 | 2.700 (68.58) | 2.795 (70.99) | 3.058 (77.67) | | | | | | | | | | | | | | | | | | | |
| 29 | 58 | 71973-4229 | 71973-4329 | 71973-4429 | 2.800 (71.12) | 2.895 (73.53) | 3.158 (80.21) | | | | | | | | | | | | | | | | | | | |
| 30 | 60 | 71973-4230 | 71973-4330 | 71973-4430 | 2.900 (73.66) | 2.995 (76.07) | 3.258 (82.75) | | | | | | | | | | | | | | | | | | | |
| 31 | 62 | 71973-4231 | 71973-4331 | 71973-4431 | 3.000 (76.20) | 3.095 (78.61) | 3.358 (85.29) | | | | | | | | | | | | | | | | | | | |
| 32 | 64 | 71973-4232 | 71973-4332 | 71973-4432 | 3.100 (78.74) | 3.195 (81.15) | 3.458 (87.83) | | | | | | | | | | | | | | | | | | | |
| 33 | 66 | 71973-4233 | 71973-4333 | 71973-4433 | 3.200 (81.28) | 3.295 (83.69) | 3.558 (90.37) | | | | | | | | | | | | | | | | | | | |

X INDICATES TOOLING IS NOT AVAILABLE.

ADD OPTION K & L
 EC NO: S2010-0534
 2009/12/30
 DRWIN:SKANG
 2010/01/08
 CHKD:ATSEE
 2010/01/14
 APPR:MLONG
 2010/01/14

QUALITY SYMBOLS
 $F_A=0$
 $F_B=0$
 $F_C=0$

GENERAL TOLERANCES (UNLESS SPECIFIED)
 mm INCH
 4 PLACES ± --- ± ---
 3 PLACES ± --- ± .010
 2 PLACES ± 0.25 ± ---
 1 PLACE ± --- ± ---
 ANGULAR ± 1/2°

DRAFT WHERE APPLICABLE MUST REMAIN WITHIN DIMENSIONS

DIMENSION STYLE
 IN/MM
 DRAWN BY: DJB DATE: 1991/10/21
 CHECKED BY: DJB DATE: 1991/10/21
 APPROVED BY: MLONG DATE: 2010/01/14
 MATERIAL NO. SEE TABLE

SCALE NTS
 DESIGN UNITS INCH
 THIRD ANGLE PROJECTION
 TITLE: EARLY ENTRY R/A RECPT
 .120"PC TAIL W/O LOWER
 ROW PINSTOP-.100" GRID
 MOLEX INCORPORATED
 DOCUMENT NO. SDA-71973-****
 SHEET NO. 17 OF 26
 THIS DRAWING CONTAINS INFORMATION THAT IS PROPRIETARY TO MOLEX INCORPORATED AND SHOULD NOT BE USED WITHOUT WRITTEN PERMISSION

| NO. OF CKTS | | OPTION E ASSEMBLY PACKAGED IN TRAYS PER PK-70873-0239 (SEE SHEET I FOR FINISH SPECIFICATIONS) | | | | | DIMENSION | | NO. OF CKTS | | OPTION E ASSEMBLY PACKAGED IN TRAYS PER PK-70873-0239 (SEE SHEET I FOR FINISH SPECIFICATIONS) | | | | | DIMENSION | |
|-------------|-------|---|------------|------------|------------------|------------------|-----------|-------|-------------|------------|---|------------------|------------------|--|--|-----------|--|
| PER ROW | TOTAL | 15 GOLD | 30 GOLD | 50 GOLD | A | B | PER ROW | TOTAL | 15 GOLD | 30 GOLD | 50 GOLD | A | B | | | | |
| 4 | 8 | 71973-8204 | 71973-8304 | 71973-8404 | .300 (7.62) | .395 (10.03) | 34 | 68 | 71973-8234 | 71973-8334 | 71973-8434 | 3.300 (83.82) | 3.395 (86.23) | | | | |
| 5 | 10 | 71973-8205 | 71973-8305 | 71973-8405 | .400 (10.16) | .495 (12.57) | 35 | 70 | 71973-8235 | 71973-8335 | 71973-8435 | 3.400 (86.36) | 3.495 (88.77) | | | | |
| 6 | 12 | 71973-8206 | 71973-8306 | 71973-8406 | .500 (12.70) | .595 (15.11) | 36 | 72 | 71973-8236 | 71973-8336 | 71973-8436 | 3.500 (88.90) | 3.595 (91.31) | | | | |
| 7 | 14 | 71973-8207 | 71973-8307 | 71973-8407 | .600 (15.24) | .695 (17.65) | | | | | | | | | | | |
| 8 | 16 | 71973-8208 | 71973-8308 | 71973-8408 | .700 (17.78) | .795 (20.19) | | | | | | | | | | | |
| 9 | 18 | 71973-8209 | 71973-8309 | 71973-8409 | .800 (20.32) | .895 (22.73) | | | | | | | | | | | |
| 10 | 20 | 71973-8210 | 71973-8310 | 71973-8410 | .900 (22.86) | .995 (25.27) | | | | | | | | | | | |
| 11 | 22 | 71973-8211 | 71973-8311 | 71973-8411 | 1.000 (25.40) | 1.095 (27.81) | | | | | | | | | | | |
| 12 | 24 | 71973-8212 | 71973-8312 | 71973-8412 | 1.100 (27.94) | 1.195 (30.35) | | | | | | | | | | | |
| 13 | 26 | 71973-8213 | 71973-8313 | 71973-8413 | 1.200 (30.48) | 1.295 (32.89) | | | | | | | | | | | |
| 14 | 28 | 71973-8214 | 71973-8314 | 71973-8414 | 1.300 (33.02) | 1.395 (35.43) | | | | | | | | | | | |
| 15 | 30 | 71973-8215 | 71973-8315 | 71973-8415 | 1.400 (35.56) | 1.495 (37.97) | | | | | | | | | | | |
| 16 | 32 | 71973-8216 | 71973-8316 | 71973-8416 | 1.500 (38.10) | 1.595 (40.51) | | | | | | | | | | | |
| 17 | 34 | 71973-8217 | 71973-8317 | 71973-8417 | 1.600 (40.64) | 1.695 (43.05) | | | | | | | | | | | |
| 18 | 36 | 71973-8218 | 71973-8318 | 71973-8418 | 1.700 (43.18) | 1.795 (45.59) | | | | | | | | | | | |
| 19 | 38 | 71973-8219 | 71973-8319 | 71973-8419 | 1.800 (45.72) | 1.895 (48.13) | | | | | | | | | | | |
| 20 | 40 | 71973-8220 | 71973-8320 | 71973-8420 | 1.900 (48.26) | 1.995 (50.67) | | | | | | | | | | | |
| 21 | 42 | 71973-8221 | 71973-8321 | 71973-8421 | 2.000 (50.80) | 2.095 (53.21) | | | | | | | | | | | |
| 22 | 44 | 71973-8222 | 71973-8322 | 71973-8422 | 2.100 (53.34) | 2.195 (55.75) | | | | | | | | | | | |
| 23 | 46 | 71973-8223 | 71973-8323 | 71973-8423 | 2.200 (55.88) | 2.295 (58.29) | | | | | | | | | | | |
| 24 | 48 | 71973-8224 | 71973-8324 | 71973-8424 | 2.300 (58.42) | 2.395 (60.83) | | | | | | | | | | | |
| 25 | 50 | 71973-8225 | 71973-8325 | 71973-8425 | 2.400 (60.96) | 2.495 (63.37) | | | | | | | | | | | |
| 26 | 52 | 71973-8226 | 71973-8326 | 71973-8426 | 2.500 (63.50) | 2.595 (65.91) | | | | | | | | | | | |
| 27 | 54 | 71973-8227 | 71973-8327 | 71973-8427 | 2.600 (66.04) | 2.695 (68.45) | | | | | | | | | | | |
| 28 | 56 | 71973-8228 | 71973-8328 | 71973-8428 | 2.700 (68.58) | 2.795 (70.99) | | | | | | | | | | | |
| 29 | 58 | 71973-8229 | 71973-8329 | 71973-8429 | 2.800 (71.12) | 2.895 (73.53) | | | | | | | | | | | |
| 30 | 60 | 71973-8230 | 71973-8330 | 71973-8430 | 2.900 (73.66) | 2.995 (76.07) | | | | | | | | | | | |
| 31 | 62 | 71973-8231 | 71973-8331 | 71973-8431 | 3.000 (76.20) | 3.095 (78.61) | | | | | | | | | | | |
| 32 | 64 | 71973-8232 | 71973-8332 | 71973-8432 | 3.100 (78.74) | 3.195 (81.15) | | | | | | | | | | | |
| 33 | 66 | 71973-8233 | 71973-8333 | 71973-8433 | 3.200 (81.28) | 3.295 (83.69) | | | | | | | | | | | |

| | | | | | | |
|---|--|---|--------------------------------|---|-----------------------|--|
| *X INDICATES TOOLING IS NOT AVAILABLE. ADD OPTION K & L EC NO: S2010-0534 DRWN:SKANG CHKD:ATSEE APPR:MLONG 2009/12/30 2010/01/08 2010/01/14 | QUALITY SYMBOLS | GENERAL TOLERANCES (UNLESS SPECIFIED) | DIMENSION STYLE | SCALE | DESIGN UNITS | THIRD ANGLE PROJECTION |
| | $F_A = 0$ $F_C = 0$ $F_P = 0$ | 4 PLACES ± --- ± --- 3 PLACES ± --- ± .010 2 PLACES ± 0.25 ± --- 1 PLACE ± --- ± --- ANGULAR ± 1/2° | IN/MM | NTS | INCH | <input checked="" type="checkbox"/> THIRD ANGLE PROJECTION |
| | DRAWN BY: DJB CHECKED BY: DJB APPROVED BY: MLONG | DATE: 1991/10/21 DATE: 1991/10/21 DATE: 2010/01/14 | TITLE | EARLY ENTRY R/A RECPT .120"PC TAIL W/O LOWER ROW PINSTOP-.100" GRID MOLEX INCORPORATED | | |
| | DRAFT WHERE APPLICABLE MUST REMAIN WITHIN DIMENSIONS | SEE TABLE | MATERIAL NO. SDA-71973-**** | DOCUMENT NO. | SHEET NO. 18 OF 26 | |

| NO. OF CKTS | | OPTION F ASSEMBLY PACKAGED IN TRAYS PER PK-70873-0239 (SEE SHEET I FOR FINISH SPECIFICATIONS) | | | | | DIMENSION | | | | NO. OF CKTS | | OPTION F ASSEMBLY PACKAGED IN TRAYS PER PK-70873-0239 (SEE SHEET I FOR FINISH SPECIFICATIONS) | | | | | DIMENSION | | | | | | | |
|-------------|-------|---|--|--|------------|------------|------------|------------------|------------------|--|------------------|---------|---|--|--|--|---------|------------|------------|------------|------------------|------------------|---|------------------|--|
| PER ROW | TOTAL | | | | 15 GOLD | 30 GOLD | 50 GOLD | A | B | | D | PER ROW | TOTAL | | | | 15 GOLD | 30 GOLD | 50 GOLD | A | B | | D | | |
| 4 | 8 | | | | 71973-8604 | 71973-8704 | 71973-8804 | .300 (16.71) | .395 (10.03) | | .658 (16.71) | 34 | 68 | | | | | 71973-8634 | 71973-8734 | 71973-8834 | 3.300 (83.82) | 3.395 (86.23) | | 3.658 (92.91) | |
| 5 | 10 | | | | 71973-8605 | 71973-8705 | 71973-8805 | .400 (10.16) | .495 (12.57) | | .758 (19.25) | 35 | 70 | | | | | 71973-8635 | 71973-8735 | 71973-8835 | 3.400 (86.36) | 3.495 (88.77) | | 3.758 (95.45) | |
| 6 | 12 | | | | 71973-8606 | 71973-8706 | 71973-8806 | .500 (12.70) | .595 (15.11) | | .858 (21.79) | 36 | 72 | | | | | 71973-8636 | 71973-8736 | 71973-8836 | 3.500 (88.90) | 3.595 (91.31) | | 3.858 (97.99) | |
| 7 | 14 | | | | 71973-8607 | 71973-8707 | 71973-8807 | .600 (15.24) | .695 (17.65) | | .958 (24.33) | | | | | | | | | | | | | | |
| 8 | 16 | | | | 71973-8608 | 71973-8708 | 71973-8808 | .700 (17.78) | .795 (20.19) | | 1.058 (26.87) | | | | | | | | | | | | | | |
| 9 | 18 | | | | 71973-8609 | 71973-8709 | 71973-8809 | .800 (20.32) | .895 (22.73) | | 1.158 (29.41) | | | | | | | | | | | | | | |
| 10 | 20 | | | | 71973-8610 | 71973-8710 | 71973-8810 | .900 (22.86) | .995 (25.27) | | 1.258 (31.95) | | | | | | | | | | | | | | |
| 11 | 22 | | | | 71973-8611 | 71973-8711 | 71973-8811 | 1.000 (25.40) | 1.095 (27.81) | | 1.358 (34.49) | | | | | | | | | | | | | | |
| 12 | 24 | | | | 71973-8612 | 71973-8712 | 71973-8812 | 1.100 (27.94) | 1.195 (30.35) | | 1.458 (37.03) | | | | | | | | | | | | | | |
| 13 | 26 | | | | 71973-8613 | 71973-8713 | 71973-8813 | 1.200 (30.48) | 1.295 (32.89) | | 1.558 (39.57) | | | | | | | | | | | | | | |
| 14 | 28 | | | | 71973-8614 | 71973-8714 | 71973-8814 | 1.300 (33.02) | 1.395 (35.43) | | 1.658 (42.11) | | | | | | | | | | | | | | |
| 15 | 30 | | | | 71973-8615 | 71973-8715 | 71973-8815 | 1.400 (35.56) | 1.495 (37.97) | | 1.758 (44.65) | | | | | | | | | | | | | | |
| 16 | 32 | | | | 71973-8616 | 71973-8716 | 71973-8816 | 1.500 (38.10) | 1.595 (40.51) | | 1.858 (47.19) | | | | | | | | | | | | | | |
| 17 | 34 | | | | 71973-8617 | 71973-8717 | 71973-8817 | 1.600 (40.64) | 1.695 (43.05) | | 1.958 (49.73) | | | | | | | | | | | | | | |
| 18 | 36 | | | | 71973-8618 | 71973-8718 | 71973-8818 | 1.700 (43.18) | 1.795 (45.59) | | 2.058 (52.27) | | | | | | | | | | | | | | |
| 19 | 38 | | | | 71973-8619 | 71973-8719 | 71973-8819 | 1.800 (45.72) | 1.895 (48.13) | | 2.158 (54.81) | | | | | | | | | | | | | | |
| 20 | 40 | | | | 71973-8620 | 71973-8720 | 71973-8820 | 1.900 (48.26) | 1.995 (50.67) | | 2.258 (57.35) | | | | | | | | | | | | | | |
| 21 | 42 | | | | 71973-8621 | 71973-8721 | 71973-8821 | 2.000 (50.80) | 2.095 (53.21) | | 2.358 (59.89) | | | | | | | | | | | | | | |
| 22 | 44 | | | | 71973-8622 | 71973-8722 | 71973-8822 | 2.100 (53.34) | 2.195 (55.75) | | 2.458 (62.43) | | | | | | | | | | | | | | |
| 23 | 46 | | | | 71973-8623 | 71973-8723 | 71973-8823 | 2.200 (55.88) | 2.295 (58.29) | | 2.558 (64.97) | | | | | | | | | | | | | | |
| 24 | 48 | | | | 71973-8624 | 71973-8724 | 71973-8824 | 2.300 (58.42) | 2.395 (60.83) | | 2.658 (67.51) | | | | | | | | | | | | | | |
| 25 | 50 | | | | 71973-8625 | 71973-8725 | 71973-8825 | 2.400 (60.96) | 2.495 (63.37) | | 2.758 (70.05) | | | | | | | | | | | | | | |
| 26 | 52 | | | | 71973-8626 | 71973-8726 | 71973-8826 | 2.500 (63.50) | 2.595 (65.91) | | 2.858 (72.59) | | | | | | | | | | | | | | |
| 27 | 54 | | | | 71973-8627 | 71973-8727 | 71973-8827 | 2.600 (66.04) | 2.695 (68.45) | | 2.958 (75.13) | | | | | | | | | | | | | | |
| 28 | 56 | | | | 71973-8628 | 71973-8728 | 71973-8828 | 2.700 (68.58) | 2.795 (70.99) | | 3.058 (77.67) | | | | | | | | | | | | | | |
| 29 | 58 | | | | 71973-8629 | 71973-8729 | 71973-8829 | 2.800 (71.12) | 2.895 (73.53) | | 3.158 (80.21) | | | | | | | | | | | | | | |
| 30 | 60 | | | | 71973-8630 | 71973-8730 | 71973-8830 | 2.900 (73.66) | 2.995 (76.07) | | 3.258 (82.75) | | | | | | | | | | | | | | |
| 31 | 62 | | | | 71973-8631 | 71973-8731 | 71973-8831 | 3.000 (76.20) | 3.095 (78.61) | | 3.358 (85.29) | | | | | | | | | | | | | | |
| 32 | 64 | | | | 71973-8632 | 71973-8732 | 71973-8832 | 3.100 (78.74) | 3.195 (81.15) | | 3.458 (87.83) | | | | | | | | | | | | | | |
| 33 | 66 | | | | 71973-8633 | 71973-8733 | 71973-8833 | 3.200 (81.28) | 3.295 (83.69) | | 3.558 (90.37) | | | | | | | | | | | | | | |

X INDICATES TOOLING IS NOT AVAILABLE.

ADD OPTION K & L
 EC NO: S2010-0534
 DRWN:SKANG 2009/12/30
 CHKD:ATSEE 2010/01/08
 APPR:MLONG 2010/01/14

QUALITY SYMBOLS
 $F_A=0$
 $F_B=0$
 $F_P=0$

GENERAL TOLERANCES (UNLESS SPECIFIED)

| | mm | INCH |
|----------|--------|--------|
| 4 PLACES | ± --- | ± --- |
| 3 PLACES | ± --- | ± .010 |
| 2 PLACES | ± 0.25 | ± --- |
| 1 PLACE | ± --- | ± --- |

ANGULAR ±1/2°

DRAFT WHERE APPLICABLE
 MUST REMAIN
 WITHIN DIMENSIONS

DIMENSION STYLE
 IN/MM

DRAWN BY: DJB DATE: 1991/10/21
 CHECKED BY: DJB DATE: 1991/10/21
 APPROVED BY: MLONG DATE: 2010/01/14

MATERIAL NO.
SEE TABLE

SIZE: **A3**

SCALE: NTS
 DESIGN UNITS: INCH
 THIRD ANGLE PROJECTION

TITLE: **EARLY ENTRY R/A RECPT
 .120"PC TAIL W/O LOWER
 ROW PINSTOP-.100" GRID**

MOLEX MOLEX INCORPORATED
 DOCUMENT NO. SDA-71973-****
 SHEET NO. 19 OF 26

THIS DRAWING CONTAINS INFORMATION THAT IS PROPRIETARY TO MOLEX INCORPORATED AND SHOULD NOT BE USED WITHOUT WRITTEN PERMISSION

| NO. OF CKTS | | OPTION G ASSEMBLY PACKAGED IN TUBES PER PK-70873-0138 (SEE SHEET I FOR FINISH SPECIFICATIONS) | | | | | DIMENSION | | | | NO. OF CKTS | | OPTION G ASSEMBLY PACKAGED IN TUBES PER PK-70873-0138 (SEE SHEET I FOR FINISH SPECIFICATIONS) | | | | | DIMENSION | | | | |
|-------------|-------|---|------------|---------|------------|---|------------|------------------|------------------|--|-------------|-------|---|------------|---------|------------|---|------------|------------------|------------------|--|--|
| PER ROW | TOTAL | | 15 GOLD | 30 GOLD | 50 GOLD | A | B | | | | PER ROW | TOTAL | | 15 GOLD | 30 GOLD | 50 GOLD | A | B | | | | |
| 4 | 8 | X | 71973-5004 | X | 71973-5104 | X | 71973-5204 | .300 (7.62) | .395 (10.03) | | 32 | 64 | X | 71973-5032 | X | 71973-5132 | X | 71973-5232 | 3.100 (78.74) | 3.195 (81.15) | | |
| 5 | 10 | X | 71973-5005 | X | 71973-5105 | X | 71973-5205 | .400 (10.16) | .495 (12.57) | | 33 | 66 | X | 71973-5033 | X | 71973-5133 | X | 71973-5233 | 3.200 (81.28) | 3.295 (83.69) | | |
| 6 | 12 | X | 71973-5006 | X | 71973-5106 | X | 71973-5206 | .500 (12.70) | .595 (15.11) | | 34 | 68 | X | 71973-5034 | X | 71973-5134 | X | 71973-5234 | 3.300 (83.82) | 3.395 (86.23) | | |
| 7 | 14 | X | 71973-5007 | X | 71973-5107 | X | 71973-5207 | .600 (15.24) | .695 (17.65) | | 35 | 70 | X | 71973-5035 | X | 71973-5135 | X | 71973-5235 | 3.400 (86.36) | 3.495 (88.77) | | |
| 8 | 16 | X | 71973-5008 | X | 71973-5108 | X | 71973-5208 | .700 (17.78) | .795 (20.19) | | 36 | 72 | X | 71973-5036 | X | 71973-5136 | X | 71973-5236 | 3.500 (88.90) | 3.595 (91.31) | | |
| 9 | 18 | X | 71973-5009 | X | 71973-5109 | X | 71973-5209 | .800 (20.32) | .895 (22.73) | | | | | | | | | | | | | |
| 10 | 20 | X | 71973-5010 | X | 71973-5110 | X | 71973-5210 | .900 (22.86) | .995 (25.27) | | | | | | | | | | | | | |
| 11 | 22 | X | 71973-5011 | X | 71973-5111 | X | 71973-5211 | 1.000 (25.40) | 1.095 (27.81) | | | | | | | | | | | | | |
| 12 | 24 | X | 71973-5012 | X | 71973-5112 | X | 71973-5212 | 1.100 (27.94) | 1.195 (30.35) | | | | | | | | | | | | | |
| 13 | 26 | X | 71973-5013 | X | 71973-5113 | X | 71973-5213 | 1.200 (30.48) | 1.295 (32.89) | | | | | | | | | | | | | |
| 14 | 28 | X | 71973-5014 | X | 71973-5114 | X | 71973-5214 | 1.300 (33.02) | 1.395 (35.43) | | | | | | | | | | | | | |
| 15 | 30 | X | 71973-5015 | X | 71973-5115 | X | 71973-5215 | 1.400 (35.56) | 1.495 (37.97) | | | | | | | | | | | | | |
| 16 | 32 | X | 71973-5016 | X | 71973-5116 | X | 71973-5216 | 1.500 (38.10) | 1.595 (40.51) | | | | | | | | | | | | | |
| 17 | 34 | X | 71973-5017 | X | 71973-5117 | X | 71973-5217 | 1.600 (40.64) | 1.695 (43.05) | | | | | | | | | | | | | |
| 18 | 36 | X | 71973-5018 | X | 71973-5118 | X | 71973-5218 | 1.700 (43.18) | 1.795 (45.59) | | | | | | | | | | | | | |
| 19 | 38 | X | 71973-5019 | X | 71973-5119 | X | 71973-5219 | 1.800 (45.72) | 1.895 (48.13) | | | | | | | | | | | | | |
| 20 | 40 | X | 71973-5020 | X | 71973-5120 | X | 71973-5220 | 1.900 (48.26) | 1.995 (50.67) | | | | | | | | | | | | | |
| 21 | 42 | X | 71973-5021 | X | 71973-5121 | X | 71973-5221 | 2.000 (50.80) | 2.095 (53.21) | | | | | | | | | | | | | |
| 22 | 44 | X | 71973-5022 | X | 71973-5122 | X | 71973-5222 | 2.100 (53.34) | 2.195 (55.75) | | | | | | | | | | | | | |
| 23 | 46 | X | 71973-5023 | X | 71973-5123 | X | 71973-5223 | 2.200 (55.88) | 2.295 (58.29) | | | | | | | | | | | | | |
| 24 | 48 | X | 71973-5024 | X | 71973-5124 | X | 71973-5224 | 2.300 (58.42) | 2.395 (60.83) | | | | | | | | | | | | | |
| 25 | 50 | X | 71973-5025 | X | 71973-5125 | X | 71973-5225 | 2.400 (60.96) | 2.495 (63.37) | | | | | | | | | | | | | |
| 26 | 52 | X | 71973-5026 | X | 71973-5126 | X | 71973-5226 | 2.500 (63.50) | 2.595 (65.91) | | | | | | | | | | | | | |
| 27 | 54 | X | 71973-5027 | X | 71973-5127 | X | 71973-5227 | 2.600 (66.04) | 2.695 (68.45) | | | | | | | | | | | | | |
| 28 | 56 | X | 71973-5028 | X | 71973-5128 | X | 71973-5228 | 2.700 (68.58) | 2.795 (70.99) | | | | | | | | | | | | | |
| 29 | 58 | X | 71973-5029 | X | 71973-5129 | X | 71973-5229 | 2.800 (71.12) | 2.895 (73.53) | | | | | | | | | | | | | |
| 30 | 60 | X | 71973-5030 | X | 71973-5130 | X | 71973-5230 | 2.900 (73.66) | 2.995 (76.07) | | | | | | | | | | | | | |
| 31 | 62 | X | 71973-5031 | X | 71973-5131 | X | 71973-5231 | 3.000 (76.20) | 3.095 (78.61) | | | | | | | | | | | | | |

| | | | | | | | |
|---|--|--|--|---|----------------------------|------------------------|-----------------------------|
| "X" INDICATES TOOLING IS NOT AVAILABLE. ADD OPTION K & L EC NO: S2010-0534 DRWN:SKANG CHYD:ATSEE APPR:MLONG 2009/12/30 2010/01/08 2010/01/14 DESCRIPTION | QUALITY SYMBOLS | GENERAL TOLERANCES (UNLESS SPECIFIED) | DIMENSION STYLE | SCALE | DESIGN UNITS | THIRD ANGLE PROJECTION | |
| | $\nabla_A = 0$ $\nabla_B = 0$ $\nabla_C = 0$ | mm INCH 4 PLACES ± --- ± --- 3 PLACES ± --- ± .010 2 PLACES ± 0.25 ± --- 1 PLACE ± --- ± --- ANGULAR ± 1/2° | IN/MM DRAWN BY DATE DJB 1991/10/21 CHECKED BY DATE DJB 1991/10/21 APPROVED BY DATE MLONG 2010/01/14 | NTS TITLE EARLY ENTRY R/A RECPT .120"PC TAIL W/O LOWER ROW PINSTOP-.100" GRID | INCH MOLEX INCORPORATED | | SEE TABLE SDA-71973-**** |
| | DRAFT WHERE APPLICABLE MUST REMAIN WITHIN DIMENSIONS | MATERIAL NO. DOCUMENT NO. SEE TABLE SDA-71973-**** | SIZE THIS DRAWING CONTAINS INFORMATION THAT IS PROPRIETARY TO MOLEX INCORPORATED AND SHOULD NOT BE USED WITHOUT WRITTEN PERMISSION | SHEET NO. 20 OF 26 | | | |
| | K | | A3 | | | | |

| 10 | | 9 | | | 8 | | | 7 | | | 6 | | | 5 | | | 4 | | | 3 | | | 2 | | | 1 | | | |
|-------------|-------|---|------------|---|------------|---|------------|------------------|------------------|--|-----------|------------------|----|----|-------------|------------|---|------------|---|------------|------------------|------------------|---------|--|------------------|-----------|---|--|---|
| NO. OF CKTS | | OPTION H ASSEMBLY PACKAGED IN TUBES PER PK-70873-0139 (SEE SHEET I FOR FINISH SPECIFICATIONS) | | | | | | | | | DIMENSION | | | | NO. OF CKTS | | OPTION H ASSEMBLY PACKAGED IN TUBES PER PK-70873-0139 (SEE SHEET I FOR FINISH SPECIFICATIONS) | | | | | | | | | DIMENSION | | | |
| PER ROW | TOTAL | 15 GOLD | | | 30 GOLD | | | 50 GOLD | | | A | B | | D | PER ROW | TOTAL | 15 GOLD | | | 30 GOLD | | | 50 GOLD | | | A | B | | D |
| 4 | 8 | X | 71973-5804 | X | 71973-5904 | X | 71973-6004 | .300 (7.62) | .395 (10.03) | | | .658 (16.71) | 31 | 62 | X | 71973-5831 | X | 71973-5931 | X | 71973-6031 | 3.000 (76.20) | 3.095 (78.61) | | | 3.358 (85.29) | | | | |
| 5 | 10 | X | 71973-5805 | X | 71973-5905 | X | 71973-6005 | .400 (10.16) | .495 (12.57) | | | .758 (19.25) | 32 | 64 | X | 71973-5832 | X | 71973-5932 | X | 71973-6032 | 3.100 (78.74) | 3.195 (81.15) | | | 3.458 (87.83) | | | | |
| 6 | 12 | X | 71973-5806 | X | 71973-5906 | X | 71973-6006 | .500 (12.70) | .595 (15.11) | | | .858 (21.79) | 33 | 66 | X | 71973-5833 | X | 71973-5933 | X | 71973-6033 | 3.200 (81.28) | 3.295 (83.69) | | | 3.558 (90.37) | | | | |
| 7 | 14 | X | 71973-5807 | X | 71973-5907 | X | 71973-6007 | .600 (15.24) | .695 (17.65) | | | .958 (24.33) | 34 | 68 | X | 71973-5834 | X | 71973-5934 | X | 71973-6034 | 3.300 (83.82) | 3.395 (86.23) | | | 3.658 (92.91) | | | | |
| 8 | 16 | X | 71973-5808 | X | 71973-5908 | X | 71973-6008 | .700 (17.78) | .795 (20.19) | | | 1.058 (26.87) | 35 | 70 | X | 71973-5835 | X | 71973-5935 | X | 71973-6035 | 3.400 (86.36) | 3.495 (88.77) | | | 3.758 (95.45) | | | | |
| 9 | 18 | X | 71973-5809 | X | 71973-5909 | X | 71973-6009 | .800 (20.32) | .895 (22.73) | | | 1.158 (29.41) | 36 | 72 | X | 71973-5836 | X | 71973-5936 | X | 71973-6036 | 3.500 (88.90) | 3.595 (91.31) | | | 3.858 (97.99) | | | | |
| 10 | 20 | X | 71973-5810 | X | 71973-5910 | X | 71973-6010 | .900 (22.86) | .995 (25.27) | | | 1.258 (31.95) | | | | | | | | | | | | | | | | | |
| 11 | 22 | X | 71973-5811 | X | 71973-5911 | X | 71973-6011 | 1.000 (25.40) | 1.095 (27.81) | | | 1.358 (34.49) | | | | | | | | | | | | | | | | | |
| 12 | 24 | X | 71973-5812 | X | 71973-5912 | X | 71973-6012 | 1.100 (27.94) | 1.195 (30.35) | | | 1.458 (37.03) | | | | | | | | | | | | | | | | | |
| 13 | 26 | X | 71973-5813 | X | 71973-5913 | X | 71973-6013 | 1.200 (30.48) | 1.295 (32.89) | | | 1.558 (39.57) | | | | | | | | | | | | | | | | | |
| 14 | 28 | X | 71973-5814 | X | 71973-5914 | X | 71973-6014 | 1.300 (33.02) | 1.395 (35.43) | | | 1.658 (42.11) | | | | | | | | | | | | | | | | | |
| 15 | 30 | X | 71973-5815 | X | 71973-5915 | X | 71973-6015 | 1.400 (35.56) | 1.495 (37.97) | | | 1.758 (44.65) | | | | | | | | | | | | | | | | | |
| 16 | 32 | X | 71973-5816 | X | 71973-5916 | X | 71973-6016 | 1.500 (38.10) | 1.595 (40.51) | | | 1.858 (47.19) | | | | | | | | | | | | | | | | | |
| 17 | 34 | X | 71973-5817 | X | 71973-5917 | X | 71973-6017 | 1.600 (40.64) | 1.695 (43.05) | | | 1.958 (49.73) | | | | | | | | | | | | | | | | | |
| 18 | 36 | X | 71973-5818 | X | 71973-5918 | X | 71973-6018 | 1.700 (43.18) | 1.795 (45.59) | | | 2.058 (52.27) | | | | | | | | | | | | | | | | | |
| 19 | 38 | X | 71973-5819 | X | 71973-5919 | X | 71973-6019 | 1.800 (45.72) | 1.895 (48.13) | | | 2.158 (54.81) | | | | | | | | | | | | | | | | | |
| 20 | 40 | X | 71973-5820 | X | 71973-5920 | X | 71973-6020 | 1.900 (48.26) | 1.995 (50.67) | | | 2.258 (57.35) | | | | | | | | | | | | | | | | | |
| 21 | 42 | X | 71973-5821 | X | 71973-5921 | X | 71973-6021 | 2.000 (50.80) | 2.095 (53.21) | | | 2.358 (59.89) | | | | | | | | | | | | | | | | | |
| 22 | 44 | X | 71973-5822 | X | 71973-5922 | X | 71973-6022 | 2.100 (53.34) | 2.195 (55.75) | | | 2.458 (62.43) | | | | | | | | | | | | | | | | | |
| 23 | 46 | X | 71973-5823 | X | 71973-5923 | X | 71973-6023 | 2.200 (55.88) | 2.295 (58.29) | | | 2.558 (64.97) | | | | | | | | | | | | | | | | | |
| 24 | 48 | X | 71973-5824 | X | 71973-5924 | X | 71973-6024 | 2.300 (58.42) | 2.395 (60.83) | | | 2.658 (67.51) | | | | | | | | | | | | | | | | | |
| 25 | 50 | X | 71973-5825 | X | 71973-5925 | X | 71973-6025 | 2.400 (60.96) | 2.495 (63.37) | | | 2.758 (70.05) | | | | | | | | | | | | | | | | | |
| 26 | 52 | X | 71973-5826 | X | 71973-5926 | X | 71973-6026 | 2.500 (63.50) | 2.595 (65.91) | | | 2.858 (72.59) | | | | | | | | | | | | | | | | | |
| 27 | 54 | X | 71973-5827 | X | 71973-5927 | X | 71973-6027 | 2.600 (66.04) | 2.695 (68.45) | | | 2.958 (75.13) | | | | | | | | | | | | | | | | | |
| 28 | 56 | X | 71973-5828 | X | 71973-5928 | X | 71973-6028 | 2.700 (68.58) | 2.795 (70.99) | | | 3.058 (77.67) | | | | | | | | | | | | | | | | | |
| 29 | 58 | X | 71973-5829 | X | 71973-5929 | X | 71973-6029 | 2.800 (71.12) | 2.895 (73.53) | | | 3.158 (80.21) | | | | | | | | | | | | | | | | | |
| 30 | 60 | X | 71973-5830 | X | 71973-5930 | X | 71973-6030 | 2.900 (73.66) | 2.995 (76.07) | | | 3.258 (82.75) | | | | | | | | | | | | | | | | | |

*X INDICATES TOOLING IS NOT AVAILABLE.

| | | |
|------------------|-------------------|------------|
| ADD OPTION K & L | EC NO: S2010-0534 | 2009/12/30 |
| DRWN:SKANG | 2010/01/08 | |
| CHKD:ATSEE | 2010/01/14 | |
| APPR:MLONG | | |
| REV | DESCRIPTION | |

| QUALITY SYMBOLS | $F_A=0$ | $F_B=0$ | $F_C=0$ | | | | | | | | | | | | | | | |
|---------------------------------------|--|---------|---------|--|----|------|----------|--------|---------|----------|--------|---------|----------|--------|--------|---------|--------|---------|
| GENERAL TOLERANCES (UNLESS SPECIFIED) | <table border="1"> <tr> <th></th> <th>mm</th> <th>INCH</th> </tr> <tr> <td>4 PLACES</td> <td>± .010</td> <td>± .0004</td> </tr> <tr> <td>3 PLACES</td> <td>± .015</td> <td>± .0006</td> </tr> <tr> <td>2 PLACES</td> <td>± 0.25</td> <td>± .010</td> </tr> <tr> <td>1 PLACE</td> <td>± .005</td> <td>± .0002</td> </tr> </table> | | | | mm | INCH | 4 PLACES | ± .010 | ± .0004 | 3 PLACES | ± .015 | ± .0006 | 2 PLACES | ± 0.25 | ± .010 | 1 PLACE | ± .005 | ± .0002 |
| | mm | INCH | | | | | | | | | | | | | | | | |
| 4 PLACES | ± .010 | ± .0004 | | | | | | | | | | | | | | | | |
| 3 PLACES | ± .015 | ± .0006 | | | | | | | | | | | | | | | | |
| 2 PLACES | ± 0.25 | ± .010 | | | | | | | | | | | | | | | | |
| 1 PLACE | ± .005 | ± .0002 | | | | | | | | | | | | | | | | |
| ANGULAR | ± 1/2° | | | | | | | | | | | | | | | | | |
| DRAFT WHERE APPLICABLE | MUST REMAIN WITHIN DIMENSIONS | | | | | | | | | | | | | | | | | |

| | | | | | |
|-----------------|----------------|------------------------|--|--------------|--|
| DIMENSION STYLE | | SCALE | | DESIGN UNITS | |
| IN/MM | | NTS | | INCH | |
| DRAWN BY | DATE | TITLE | | | |
| DJB | 1991/10/21 | EARLY ENTRY R/A RECPT | | | |
| CHECKED BY | DATE | .120"PC TAIL W/O LOWER | | | |
| DJB | 1991/10/21 | ROW PINSTOP-.100" GRID | | | |
| APPROVED BY | DATE | MOLEX INCORPORATED | | | |
| MLONG | 2010/01/14 | MOLEX INCORPORATED | | | |
| MATERIAL NO. | DOCUMENT NO. | SHEET NO. | | | |
| SEE TABLE | SDA-71973-**** | 21 OF 26 | | | |

| | |
|--|--|
| THIRD ANGLE PROJECTION | |
| DRAWING CONTAINS INFORMATION THAT IS PROPRIETARY TO MOLEX INCORPORATED AND SHOULD NOT BE USED WITHOUT WRITTEN PERMISSION | |

| NO. OF CKTS | | OPTION G ASSEMBLY PACKAGED IN TRAYS PER PK-70873-0239 (SEE SHEET I FOR FINISH SPECIFICATIONS) | | | | | DIMENSION | | | | NO. OF CKTS | | OPTION G ASSEMBLY PACKAGED IN TRAYS PER PK-70873-0239 (SEE SHEET I FOR FINISH SPECIFICATIONS) | | | | | DIMENSION | | | | | | | | | |
|-------------|-------|---|--|--|------------|------------|------------|------------------|------------------|--|-------------|----|---|-------|--|--|------------|------------|------------|------------------|------------------|---|--|--|--|--|--|
| PER ROW | TOTAL | | | | 15 GOLD | 30 GOLD | 50 GOLD | A | B | | | | PER ROW | TOTAL | | | | 15 GOLD | 30 GOLD | 50 GOLD | A | B | | | | | |
| 4 | 8 | | | | 71973-9004 | 71973-9104 | 71973-9204 | .300 (7.62) | .395 (10.03) | | | 34 | 68 | | | | 71973-9034 | 71973-9134 | 71973-9234 | 3.300 (83.82) | 3.395 (86.23) | | | | | | |
| 5 | 10 | | | | 71973-9005 | 71973-9105 | 71973-9205 | .400 (10.16) | .495 (12.57) | | | 35 | 70 | | | | 71973-9035 | 71973-9135 | 71973-9235 | 3.400 (86.36) | 3.495 (88.77) | | | | | | |
| 6 | 12 | | | | 71973-9006 | 71973-9106 | 71973-9206 | .500 (12.70) | .595 (15.11) | | | 36 | 72 | | | | 71973-9036 | 71973-9136 | 71973-9236 | 3.500 (88.90) | 3.595 (91.31) | | | | | | |
| 7 | 14 | | | | 71973-9007 | 71973-9107 | 71973-9207 | .600 (15.24) | .695 (17.65) | | | | | | | | | | | | | | | | | | |
| 8 | 16 | | | | 71973-9008 | 71973-9108 | 71973-9208 | .700 (17.78) | .795 (20.19) | | | | | | | | | | | | | | | | | | |
| 9 | 18 | | | | 71973-9009 | 71973-9109 | 71973-9209 | .800 (20.32) | .895 (22.73) | | | | | | | | | | | | | | | | | | |
| 10 | 20 | | | | 71973-9010 | 71973-9110 | 71973-9210 | .900 (22.86) | .995 (25.27) | | | | | | | | | | | | | | | | | | |
| 11 | 22 | | | | 71973-9011 | 71973-9111 | 71973-9211 | 1.000 (25.40) | 1.095 (27.81) | | | | | | | | | | | | | | | | | | |
| 12 | 24 | | | | 71973-9012 | 71973-9112 | 71973-9212 | 1.100 (27.94) | 1.195 (30.35) | | | | | | | | | | | | | | | | | | |
| 13 | 26 | | | | 71973-9013 | 71973-9113 | 71973-9213 | 1.200 (30.48) | 1.295 (32.89) | | | | | | | | | | | | | | | | | | |
| 14 | 28 | | | | 71973-9014 | 71973-9114 | 71973-9214 | 1.300 (33.02) | 1.395 (35.43) | | | | | | | | | | | | | | | | | | |
| 15 | 30 | | | | 71973-9015 | 71973-9115 | 71973-9215 | 1.400 (35.56) | 1.495 (37.97) | | | | | | | | | | | | | | | | | | |
| 16 | 32 | | | | 71973-9016 | 71973-9116 | 71973-9216 | 1.500 (38.10) | 1.595 (40.51) | | | | | | | | | | | | | | | | | | |
| 17 | 34 | | | | 71973-9017 | 71973-9117 | 71973-9217 | 1.600 (40.64) | 1.695 (43.05) | | | | | | | | | | | | | | | | | | |
| 18 | 36 | | | | 71973-9018 | 71973-9118 | 71973-9218 | 1.700 (43.18) | 1.795 (45.59) | | | | | | | | | | | | | | | | | | |
| 19 | 38 | | | | 71973-9019 | 71973-9119 | 71973-9219 | 1.800 (45.72) | 1.895 (48.13) | | | | | | | | | | | | | | | | | | |
| 20 | 40 | | | | 71973-9020 | 71973-9120 | 71973-9220 | 1.900 (48.26) | 1.995 (50.67) | | | | | | | | | | | | | | | | | | |
| 21 | 42 | | | | 71973-9021 | 71973-9121 | 71973-9221 | 2.000 (50.80) | 2.095 (53.21) | | | | | | | | | | | | | | | | | | |
| 22 | 44 | | | | 71973-9022 | 71973-9122 | 71973-9222 | 2.100 (53.34) | 2.195 (55.75) | | | | | | | | | | | | | | | | | | |
| 23 | 46 | | | | 71973-9023 | 71973-9123 | 71973-9223 | 2.200 (55.88) | 2.295 (58.29) | | | | | | | | | | | | | | | | | | |
| 24 | 48 | | | | 71973-9024 | 71973-9124 | 71973-9224 | 2.300 (58.42) | 2.395 (60.83) | | | | | | | | | | | | | | | | | | |
| 25 | 50 | | | | 71973-9025 | 71973-9125 | 71973-9225 | 2.400 (60.96) | 2.495 (63.37) | | | | | | | | | | | | | | | | | | |
| 26 | 52 | | | | 71973-9026 | 71973-9126 | 71973-9226 | 2.500 (63.50) | 2.595 (65.91) | | | | | | | | | | | | | | | | | | |
| 27 | 54 | | | | 71973-9027 | 71973-9127 | 71973-9227 | 2.600 (66.04) | 2.695 (68.45) | | | | | | | | | | | | | | | | | | |
| 28 | 56 | | | | 71973-9028 | 71973-9128 | 71973-9228 | 2.700 (68.58) | 2.795 (70.99) | | | | | | | | | | | | | | | | | | |
| 29 | 58 | | | | 71973-9029 | 71973-9129 | 71973-9229 | 2.800 (71.12) | 2.895 (73.53) | | | | | | | | | | | | | | | | | | |
| 30 | 60 | | | | 71973-9030 | 71973-9130 | 71973-9230 | 2.900 (73.66) | 2.995 (76.07) | | | | | | | | | | | | | | | | | | |
| 31 | 62 | | | | 71973-9031 | 71973-9131 | 71973-9231 | 3.000 (76.20) | 3.095 (78.61) | | | | | | | | | | | | | | | | | | |
| 32 | 64 | | | | 71973-9032 | 71973-9132 | 71973-9232 | 3.100 (78.74) | 3.195 (81.15) | | | | | | | | | | | | | | | | | | |
| 33 | 66 | | | | 71973-9033 | 71973-9133 | 71973-9233 | 3.200 (81.28) | 3.295 (83.69) | | | | | | | | | | | | | | | | | | |

| | | | | | | | | | |
|--|--|---------------------------------------|----------------|--------------------------|--------------|--|---|------------------------|--|
| ADD OPTION K & L EC NO: S2010-0534 DRWN:SKANG 2009/12/30 CHKD:ATSEE 2010/01/08 APPR:MLONG 2010/01/14 | QUALITY SYMBOLS $F_A=0$ $F_B=0$ $F_C=0$ | GENERAL TOLERANCES (UNLESS SPECIFIED) | | DIMENSION STYLE IN/MM | | SCALE NTS | DESIGN UNITS INCH | THIRD ANGLE PROJECTION | |
| | | 4 PLACES | ± --- | ± --- | DRAWN BY | DATE | TITLE | | |
| | | 3 PLACES | ± --- | ± .010 | CHECKED BY | DATE | EARLY ENTRY R/A RECPT .120"PC TAIL W/O LOWER ROW PINSTOP-.100" GRID | | |
| | | 2 PLACES | ± 0.25 | ± --- | APPROVED BY | DATE | MOLEX INCORPORATED | | |
| 1 PLACE | ± --- | ± --- | ANGULAR ± 1/2° | | MATERIAL NO. | DOCUMENT NO. | SHEET NO. | | |
| DRAFT WHERE APPLICABLE MUST REMAIN WITHIN DIMENSIONS | | | | SEE TABLE | | SDA-71973-**** | | 22 OF 26 | |
| | | | | SIZE A3 | | THIS DRAWING CONTAINS INFORMATION THAT IS PROPRIETARY TO MOLEX INCORPORATED AND SHOULD NOT BE USED WITHOUT WRITTEN PERMISSION | | | |

| 10 | | 9 | | 8 | | 7 | | 6 | | 5 | | 4 | | 3 | | 2 | | 1 | | | | | |
|-------------|-------|---|--|------------|------------|------------|------------------|------------------|------------------|------------------|----|-------------|-------|---|------------|------------|------------|------------------|------------------|------------------|------------------|---|---|
| NO. OF CKTS | | OPTION I ASSEMBLY PACKAGED IN TUBES PER PK-70873-0138 (SEE SHEET I FOR FINISH SPECIFICATIONS) | | | | | | DIMENSION | | | | NO. OF CKTS | | OPTION I ASSEMBLY PACKAGED IN TUBES PER PK-70873-0138 (SEE SHEET I FOR FINISH SPECIFICATIONS) | | | | | | DIMENSION | | | |
| PER ROW | TOTAL | 15 GOLD | | 30 GOLD | | 50 GOLD | | A | B | C | D | PER ROW | TOTAL | 15 GOLD | | 30 GOLD | | 50 GOLD | | A | B | C | D |
| 4 | 8 | | | 71973-9704 | 71973-9804 | 71973-9904 | .300 (7.62) | .395 (10.03) | .200 (5.08) | .658 (16.71) | 34 | 68 | | | 71973-9734 | 71973-9834 | 71973-9934 | 3.300 (83.82) | 3.395 (86.23) | 3.200 (81.28) | 3.658 (92.91) | | |
| 5 | 10 | | | 71973-9705 | 71973-9805 | 71973-9905 | .400 (10.16) | .495 (12.57) | .300 (7.62) | .758 (19.25) | 35 | 70 | | | 71973-9735 | 71973-9835 | 71973-9935 | 3.400 (86.36) | 3.495 (88.77) | 3.300 (83.82) | 3.758 (95.45) | | |
| 6 | 12 | | | 71973-9706 | 71973-9806 | 71973-9906 | .500 (12.70) | .595 (15.11) | .400 (10.16) | .858 (21.79) | 36 | 72 | | | 71973-9736 | 71973-9836 | 71973-9936 | 3.500 (88.90) | 3.595 (91.31) | 3.400 (86.36) | 3.858 (97.99) | | |
| 7 | 14 | | | 71973-9707 | 71973-9807 | 71973-9907 | .600 (15.24) | .695 (17.65) | .500 (12.70) | .958 (24.33) | | | | | | | | | | | | | |
| 8 | 16 | | | 71973-9708 | 71973-9808 | 71973-9908 | .700 (17.78) | .795 (20.19) | .600 (15.24) | 1.058 (26.87) | | | | | | | | | | | | | |
| 9 | 18 | | | 71973-9709 | 71973-9809 | 71973-9909 | .800 (20.32) | .895 (22.73) | .700 (17.78) | 1.158 (29.41) | | | | | | | | | | | | | |
| 10 | 20 | | | 71973-9710 | 71973-9810 | 71973-9910 | .900 (22.86) | .995 (25.27) | .800 (20.32) | 1.258 (31.95) | | | | | | | | | | | | | |
| 11 | 22 | | | 71973-9711 | 71973-9811 | 71973-9911 | 1.000 (25.40) | 1.095 (27.81) | .900 (22.86) | 1.358 (34.49) | | | | | | | | | | | | | |
| 12 | 24 | | | 71973-9712 | 71973-9812 | 71973-9912 | 1.100 (27.94) | 1.195 (30.35) | 1.000 (25.40) | 1.458 (37.03) | | | | | | | | | | | | | |
| 13 | 26 | | | 71973-9713 | 71973-9813 | 71973-9913 | 1.200 (30.48) | 1.295 (32.89) | 1.100 (27.94) | 1.558 (39.57) | | | | | | | | | | | | | |
| 14 | 28 | | | 71973-9714 | 71973-9814 | 71973-9914 | 1.300 (33.02) | 1.395 (35.43) | 1.200 (30.48) | 1.658 (42.11) | | | | | | | | | | | | | |
| 15 | 30 | | | 71973-9715 | 71973-9815 | 71973-9915 | 1.400 (35.56) | 1.495 (37.97) | 1.300 (33.02) | 1.758 (44.65) | | | | | | | | | | | | | |
| 16 | 32 | | | 71973-9716 | 71973-9816 | 71973-9916 | 1.500 (38.10) | 1.595 (40.51) | 1.400 (35.56) | 1.858 (47.19) | | | | | | | | | | | | | |
| 17 | 34 | | | 71973-9717 | 71973-9817 | 71973-9917 | 1.600 (40.64) | 1.695 (43.05) | 1.500 (38.10) | 1.958 (49.73) | | | | | | | | | | | | | |
| 18 | 36 | | | 71973-9718 | 71973-9818 | 71973-9918 | 1.700 (43.18) | 1.795 (45.59) | 1.600 (40.64) | 2.058 (52.27) | | | | | | | | | | | | | |
| 19 | 38 | | | 71973-9719 | 71973-9819 | 71973-9919 | 1.800 (45.72) | 1.895 (48.13) | 1.700 (43.18) | 2.158 (54.81) | | | | | | | | | | | | | |
| 20 | 40 | | | 71973-9720 | 71973-9820 | 71973-9920 | 1.900 (48.26) | 1.995 (50.67) | 1.800 (45.72) | 2.258 (57.35) | | | | | | | | | | | | | |
| 21 | 42 | | | 71973-9721 | 71973-9821 | 71973-9921 | 2.000 (50.80) | 2.095 (53.21) | 1.900 (48.26) | 2.358 (59.89) | | | | | | | | | | | | | |
| 22 | 44 | | | 71973-9722 | 71973-9822 | 71973-9922 | 2.100 (53.34) | 2.195 (55.75) | 2.000 (50.80) | 2.458 (62.43) | | | | | | | | | | | | | |
| 23 | 46 | | | 71973-9723 | 71973-9823 | 71973-9923 | 2.200 (55.88) | 2.295 (58.29) | 2.100 (53.34) | 2.558 (64.97) | | | | | | | | | | | | | |
| 24 | 48 | | | 71973-9724 | 71973-9824 | 71973-9924 | 2.300 (58.42) | 2.395 (60.83) | 2.200 (55.88) | 2.658 (67.51) | | | | | | | | | | | | | |
| 25 | 50 | | | 71973-9725 | 71973-9825 | 71973-9925 | 2.400 (60.96) | 2.495 (63.37) | 2.300 (58.42) | 2.758 (70.05) | | | | | | | | | | | | | |
| 26 | 52 | | | 71973-9726 | 71973-9826 | 71973-9926 | 2.500 (63.50) | 2.595 (65.91) | 2.400 (60.96) | 2.858 (72.59) | | | | | | | | | | | | | |
| 27 | 54 | | | 71973-9727 | 71973-9827 | 71973-9927 | 2.600 (66.04) | 2.695 (68.45) | 2.500 (63.50) | 2.958 (75.13) | | | | | | | | | | | | | |
| 28 | 56 | | | 71973-9728 | 71973-9828 | 71973-9928 | 2.700 (68.58) | 2.795 (70.99) | 2.600 (66.04) | 3.058 (77.67) | | | | | | | | | | | | | |
| 29 | 58 | | | 71973-9729 | 71973-9829 | 71973-9929 | 2.800 (71.12) | 2.895 (73.53) | 2.700 (68.58) | 3.158 (80.21) | | | | | | | | | | | | | |
| 30 | 60 | | | 71973-9730 | 71973-9830 | 71973-9930 | 2.900 (73.66) | 2.995 (76.07) | 2.800 (71.12) | 3.258 (82.75) | | | | | | | | | | | | | |
| 31 | 62 | | | 71973-9731 | 71973-9831 | 71973-9931 | 3.000 (76.20) | 3.095 (78.61) | 2.900 (73.66) | 3.358 (85.29) | | | | | | | | | | | | | |
| 32 | 64 | | | 71973-9732 | 71973-9832 | 71973-9932 | 3.100 (78.74) | 3.195 (81.15) | 3.000 (76.20) | 3.458 (87.83) | | | | | | | | | | | | | |
| 33 | 66 | | | 71973-9733 | 71973-9833 | 71973-9933 | 3.200 (81.28) | 3.295 (83.69) | 3.100 (78.74) | 3.558 (90.37) | | | | | | | | | | | | | |

| | | | | | | | |
|--|-------------------------------------|---|---|--------------------------------------|---|---|--|
| ADD OPTION K & L EC NO: S2010-0534 DRWN:SKANG 2009/12/30 CHYD:ATSEE 2010/01/08 APPR:MLONG 2010/01/14 | QUALITY SYMBOLS | GENERAL TOLERANCES (UNLESS SPECIFIED) | DIMENSION STYLE IN/MM | SCALE NTS | DESIGN UNITS INCH | THIRD ANGLE PROJECTION | |
| | $F_A = 0$ $F_B = 0$ $F_P = 0$ | 4 PLACES ± --- ± --- 3 PLACES ± --- ± .010 2 PLACES ± 0.25 ± --- 1 PLACE ± --- ± --- ANGULAR ± 1/2° | DRAWN BY: DJB DATE: 1991/10/21 CHECKED BY: DJB DATE: 1991/10/21 APPROVED BY: MLONG DATE: 2010/01/14 | TITLE | EARLY ENTRY R/A RECPT .120"PC TAIL W/O LOWER ROW PINSTOP-.100" GRID | | |
| | | DRAFT WHERE APPLICABLE MUST REMAIN WITHIN DIMENSIONS | SEE TABLE | MOLEX INCORPORATED SDA-71973-**** | | | |
| | | | | SHEET NO. 24 OF 26 | | THIS DRAWING CONTAINS INFORMATION THAT IS PROPRIETARY TO MOLEX INCORPORATED AND SHOULD NOT BE USED WITHOUT WRITTEN PERMISSION | |

| NO. OF CKTS | | OPTION K ASSEMBLY PACKAGED IN TUBES PER PK-70873-0138 (SEE SHEET I FOR FINISH SPECIFICATIONS) | | | | | DIMENSION | | | | NO. OF CKTS | | OPTION K ASSEMBLY PACKAGED IN TUBES PER PK-70873-0138 (SEE SHEET I FOR FINISH SPECIFICATIONS) | | | | | DIMENSION | | | | | | | |
|-------------|-------|---|--|------------|------------|------------|------------------|------------------|--|--|-------------|---------|---|---------|------------|------------|------------|------------------|------------------|---|--|--|--|--|--|
| PER ROW | TOTAL | 15 GOLD | | | 30 GOLD | 50 GOLD | A | B | | | | PER ROW | TOTAL | 15 GOLD | | | 30 GOLD | 50 GOLD | A | B | | | | | |
| 4 | 8 | | | 71973-6204 | 71973-6304 | 71973-6404 | .300 (7.62) | .395 (10.03) | | | 32 | 64 | | | | | | 3.100 (78.74) | 3.195 (81.15) | | | | | | |
| 5 | 10 | | | 71973-6205 | 71973-6305 | 71973-6405 | .400 (10.16) | .495 (12.57) | | | 33 | 66 | | | 71973-6232 | 71973-6332 | 71973-6432 | 3.200 (81.28) | 3.295 (83.69) | | | | | | |
| 6 | 12 | | | 71973-6206 | 71973-6306 | 71973-6406 | .500 (12.70) | .595 (15.11) | | | 34 | 68 | | | 71973-6233 | 71973-6333 | 71973-6433 | 3.300 (83.82) | 3.395 (86.23) | | | | | | |
| 7 | 14 | | | 71973-6207 | 71973-6307 | 71973-6407 | .600 (15.24) | .695 (17.65) | | | 35 | 70 | | | 71973-6234 | 71973-6334 | 71973-6434 | 3.400 (86.36) | 3.495 (88.77) | | | | | | |
| 8 | 16 | | | 71973-6208 | 71973-6308 | 71973-6408 | .700 (17.78) | .795 (20.19) | | | 36 | 72 | | | 71973-6235 | 71973-6335 | 71973-6435 | 3.500 (88.90) | 3.595 (91.31) | | | | | | |
| 9 | 18 | | | 71973-6209 | 71973-6309 | 71973-6409 | .800 (20.32) | .895 (22.73) | | | | | | | | | | | | | | | | | |
| 10 | 20 | | | 71973-6210 | 71973-6310 | 71973-6410 | .900 (22.86) | .995 (25.27) | | | | | | | | | | | | | | | | | |
| 11 | 22 | | | 71973-6211 | 71973-6311 | 71973-6411 | 1.000 (25.40) | 1.095 (27.81) | | | | | | | | | | | | | | | | | |
| 12 | 24 | | | 71973-6212 | 71973-6312 | 71973-6412 | 1.100 (27.94) | 1.195 (30.35) | | | | | | | | | | | | | | | | | |
| 13 | 26 | | | 71973-6213 | 71973-6313 | 71973-6413 | 1.200 (30.48) | 1.295 (32.89) | | | | | | | | | | | | | | | | | |
| 14 | 28 | | | 71973-6214 | 71973-6314 | 71973-6414 | 1.300 (33.02) | 1.395 (35.43) | | | | | | | | | | | | | | | | | |
| 15 | 30 | | | 71973-6215 | 71973-6315 | 71973-6415 | 1.400 (35.56) | 1.495 (37.97) | | | | | | | | | | | | | | | | | |
| 16 | 32 | | | 71973-6216 | 71973-6316 | 71973-6416 | 1.500 (38.10) | 1.595 (40.51) | | | | | | | | | | | | | | | | | |
| 17 | 34 | | | 71973-6217 | 71973-6317 | 71973-6417 | 1.600 (40.64) | 1.695 (43.05) | | | | | | | | | | | | | | | | | |
| 18 | 36 | | | 71973-6218 | 71973-6318 | 71973-6418 | 1.700 (43.18) | 1.795 (45.59) | | | | | | | | | | | | | | | | | |
| 19 | 38 | | | 71973-6219 | 71973-6319 | 71973-6419 | 1.800 (45.72) | 1.895 (48.13) | | | | | | | | | | | | | | | | | |
| 20 | 40 | | | 71973-6220 | 71973-6320 | 71973-6420 | 1.900 (48.26) | 1.995 (50.67) | | | | | | | | | | | | | | | | | |
| 21 | 42 | | | 71973-6221 | 71973-6321 | 71973-6421 | 2.000 (50.80) | 2.095 (53.21) | | | | | | | | | | | | | | | | | |
| 22 | 44 | | | 71973-6222 | 71973-6322 | 71973-6422 | 2.100 (53.34) | 2.195 (55.75) | | | | | | | | | | | | | | | | | |
| 23 | 46 | | | 71973-6223 | 71973-6323 | 71973-6423 | 2.200 (55.88) | 2.295 (58.29) | | | | | | | | | | | | | | | | | |
| 24 | 48 | | | 71973-6224 | 71973-6324 | 71973-6424 | 2.300 (58.42) | 2.395 (60.83) | | | | | | | | | | | | | | | | | |
| 25 | 50 | | | 71973-6225 | 71973-6325 | 71973-6425 | 2.400 (60.96) | 2.495 (63.37) | | | | | | | | | | | | | | | | | |
| 26 | 52 | | | 71973-6226 | 71973-6326 | 71973-6426 | 2.500 (63.50) | 2.595 (65.91) | | | | | | | | | | | | | | | | | |
| 27 | 54 | | | 71973-6227 | 71973-6327 | 71973-6427 | 2.600 (66.04) | 2.695 (68.45) | | | | | | | | | | | | | | | | | |
| 28 | 56 | | | 71973-6228 | 71973-6328 | 71973-6428 | 2.700 (68.58) | 2.795 (70.99) | | | | | | | | | | | | | | | | | |
| 29 | 58 | | | 71973-6229 | 71973-6329 | 71973-6429 | 2.800 (71.12) | 2.895 (73.53) | | | | | | | | | | | | | | | | | |
| 30 | 60 | | | 71973-6230 | 71973-6330 | 71973-6430 | 2.900 (73.66) | 2.995 (76.07) | | | | | | | | | | | | | | | | | |
| 31 | 62 | | | 71973-6231 | 71973-6331 | 71973-6431 | 3.000 (76.20) | 3.095 (78.61) | | | | | | | | | | | | | | | | | |

X INDICATES TOOLING IS NOT AVAILABLE

| | |
|-------------------|-----------------|
| ADD OPTION K & L | QUALITY SYMBOLS |
| EC NO: S2010-0534 | $F_A=0$ |
| DRWN:SKANG | $F_B=0$ |
| CHKD:ATSEE | $F_C=0$ |
| APPR:MLONG | $F_D=0$ |
| 2009/12/30 | |
| 2010/01/08 | |
| 2010/01/14 | |
| DESCRIPTION | |
| REV | |

| | | | | |
|--|-----------------|---|----------------|------------------------|
| GENERAL TOLERANCES (UNLESS SPECIFIED) | DIMENSION STYLE | SCALE | DESIGN UNITS | THIRD ANGLE PROJECTION |
| | IN/MM | NTS | INCH | |
| 4 PLACES | mm INCH | DRAWN BY | DATE | TITLE |
| 3 PLACES | ± --- ± --- | DJB | 1991/10/21 | EARLY ENTRY R/A RECPT |
| 2 PLACES | ± --- ± .010 | CHECKED BY | DATE | .120"PC TAIL W/O LOWER |
| 1 PLACE | ± 0.25 ± --- | DJB | 1991/10/21 | ROW PINSTOP-.100" GRID |
| ANGULAR | ± 1/2° | APPROVED BY | DATE | MOLEX INCORPORATED |
| | | MLONG | 2010/01/14 | |
| DRAFT WHERE APPLICABLE MUST REMAIN WITHIN DIMENSIONS | SEE TABLE | MATERIAL NO. | DOCUMENT NO. | SHEET NO. |
| | | | SDA-71973-**** | 25 OF 26 |
| | SIZE A3 | THIS DRAWING CONTAINS INFORMATION THAT IS PROPRIETARY TO MOLEX INCORPORATED AND SHOULD NOT BE USED WITHOUT WRITTEN PERMISSION | | |

| NO. OF CKTS | | OPTION L ASSEMBLY PACKAGED IN TUBES PER PK-70873-0138 (SEE SHEET 1 FOR FINISH SPECIFICATIONS) | | | | | DIMENSION | | | NO. OF CKTS | | OPTION L ASSEMBLY PACKAGED IN TUBES PER PK-70873-0138 (SEE SHEET 1 FOR FINISH SPECIFICATIONS) | | | | | DIMENSION | | | |
|-------------|-------|---|--|--|------------|------------|------------|------------------|------------------|-------------|---------|---|---------|--|--|---------|-----------|------------------|------------------|--|
| PER ROW | TOTAL | 15 GOLD | | | 30 GOLD | 50 GOLD | A | B | | | PER ROW | TOTAL | 15 GOLD | | | 30 GOLD | 50 GOLD | A | B | |
| 4 | 8 | | | | 71973-5404 | 71973-5504 | 71973-5604 | .300 (7.62) | .395 (10.03) | | | | | | | | | 3.000 (76.20) | 3.095 (78.61) | |
| 5 | 10 | | | | 71973-5405 | 71973-5505 | 71973-5605 | .400 (10.16) | .495 (12.57) | | | | | | | | | 3.100 (78.74) | 3.195 (81.15) | |
| 6 | 12 | | | | 71973-5406 | 71973-5506 | 71973-5606 | .500 (12.70) | .595 (15.11) | | | | | | | | | 3.200 (81.28) | 3.295 (83.69) | |
| 7 | 14 | | | | 71973-5407 | 71973-5507 | 71973-5607 | .600 (15.24) | .695 (17.65) | | | | | | | | | 3.300 (83.82) | 3.395 (86.23) | |
| 8 | 16 | | | | 71973-5408 | 71973-5508 | 71973-5608 | .700 (17.78) | .795 (20.19) | | | | | | | | | 3.400 (86.36) | 3.495 (88.77) | |
| 9 | 18 | | | | 71973-5409 | 71973-5509 | 71973-5609 | .800 (20.32) | .895 (22.73) | | | | | | | | | 3.500 (88.90) | 3.595 (91.31) | |
| 10 | 20 | | | | 71973-5410 | 71973-5510 | 71973-5610 | .900 (22.86) | .995 (25.27) | | | | | | | | | | | |
| 11 | 22 | | | | 71973-5411 | 71973-5511 | 71973-5611 | 1.000 (25.40) | 1.095 (27.81) | | | | | | | | | | | |
| 12 | 24 | | | | 71973-5412 | 71973-5512 | 71973-5612 | 1.100 (27.94) | 1.195 (30.35) | | | | | | | | | | | |
| 13 | 26 | | | | 71973-5413 | 71973-5513 | 71973-5613 | 1.200 (30.48) | 1.295 (32.89) | | | | | | | | | | | |
| 14 | 28 | | | | 71973-5414 | 71973-5514 | 71973-5614 | 1.300 (33.02) | 1.395 (35.43) | | | | | | | | | | | |
| 15 | 30 | | | | 71973-5415 | 71973-5515 | 71973-5615 | 1.400 (35.56) | 1.495 (37.97) | | | | | | | | | | | |
| 16 | 32 | | | | 71973-5416 | 71973-5516 | 71973-5616 | 1.500 (38.10) | 1.595 (40.51) | | | | | | | | | | | |
| 17 | 34 | | | | 71973-5417 | 71973-5517 | 71973-5617 | 1.600 (40.64) | 1.695 (43.05) | | | | | | | | | | | |
| 18 | 36 | | | | 71973-5418 | 71973-5518 | 71973-5618 | 1.700 (43.18) | 1.795 (45.59) | | | | | | | | | | | |
| 19 | 38 | | | | 71973-5419 | 71973-5519 | 71973-5619 | 1.800 (45.72) | 1.895 (48.13) | | | | | | | | | | | |
| 20 | 40 | | | | 71973-5420 | 71973-5520 | 71973-5620 | 1.900 (48.26) | 1.995 (50.67) | | | | | | | | | | | |
| 21 | 42 | | | | 71973-5421 | 71973-5521 | 71973-5621 | 2.000 (50.80) | 2.095 (53.21) | | | | | | | | | | | |
| 22 | 44 | | | | 71973-5422 | 71973-5522 | 71973-5622 | 2.100 (53.34) | 2.195 (55.75) | | | | | | | | | | | |
| 23 | 46 | | | | 71973-5423 | 71973-5523 | 71973-5623 | 2.200 (55.88) | 2.295 (58.29) | | | | | | | | | | | |
| 24 | 48 | | | | 71973-5424 | 71973-5524 | 71973-5624 | 2.300 (58.42) | 2.395 (60.83) | | | | | | | | | | | |
| 25 | 50 | | | | 71973-5425 | 71973-5525 | 71973-5625 | 2.400 (60.96) | 2.495 (63.37) | | | | | | | | | | | |
| 26 | 52 | | | | 71973-5426 | 71973-5526 | 71973-5626 | 2.500 (63.50) | 2.595 (65.91) | | | | | | | | | | | |
| 27 | 54 | | | | 71973-5427 | 71973-5527 | 71973-5627 | 2.600 (66.04) | 2.695 (68.45) | | | | | | | | | | | |
| 28 | 56 | | | | 71973-5428 | 71973-5528 | 71973-5628 | 2.700 (68.58) | 2.795 (70.99) | | | | | | | | | | | |
| 29 | 58 | | | | 71973-5429 | 71973-5529 | 71973-5629 | 2.800 (71.12) | 2.895 (73.53) | | | | | | | | | | | |
| 30 | 60 | | | | 71973-5430 | 71973-5530 | 71973-5630 | 2.900 (73.66) | 2.995 (76.07) | | | | | | | | | | | |

| | | | | | | | | | | |
|---|--|--|---|--------------------------------------|----------------------------|--|---------------------------|--------------------------------|-----------------------|--|
| "X" INDICATES TOOLING IS NOT AVAILABLE ADD OPTION K & L EC NO: S2010-0534 DRWN:SKANG 2009/12/30 CHYD:ATSEE 2010/01/08 APPR:MLONG 2010/01/14 K | QUALITY SYMBOLS $F_A=0$ $F_C=0$ $F_P=0$ | GENERAL TOLERANCES (UNLESS SPECIFIED) 4 PLACES \pm --- \pm --- 3 PLACES \pm --- \pm .010 2 PLACES \pm 0.25 \pm --- 1 PLACE \pm --- \pm --- ANGULAR \pm 1/2° | DIMENSION STYLE IN/MM DRAWN BY: DJB DATE: 1991/10/21 CHECKED BY: DJB DATE: 1991/10/21 APPROVED BY: MLONG DATE: 2010/01/14 | SCALE NTS DESIGN UNITS INCH | THIRD ANGLE PROJECTION | TITLE EARLY ENTRY R/A RECPT .120"PC TAIL W/O LOWER ROW PINSTOP-.100" GRID MOLEX INCORPORATED | MATERIAL NO. SEE TABLE | DOCUMENT NO. SDA-71973-**** | SHEET NO. 26 OF 26 | |
| | DRAFT WHERE APPLICABLE MUST REMAIN WITHIN DIMENSIONS | | THIS DRAWING CONTAINS INFORMATION THAT IS PROPRIETARY TO MOLEX INCORPORATED AND SHOULD NOT BE USED WITHOUT WRITTEN PERMISSION | | | | | | | |
| | | | | | | | | | | |
| | | | | | | | | | | |

| NO. OF CKTS | | OPTION A ASSEMBLY PACKAGED IN TUBES PER PK-70873-0138 (SEE SHEET 1 FOR FINISH SPECIFICATIONS) | | | | | DIMENSION | | NO. OF CKTS | | OPTION A ASSEMBLY PACKAGED IN TUBES PER PK-70873-0138 (SEE SHEET 1 FOR FINISH SPECIFICATIONS) | | | | | DIMENSION | |
|-------------|-------|---|------------|------------|------------------|------------------|-----------|-------|-------------|------------|---|------------------|------------------|--|--|-----------|--|
| PER ROW | TOTAL | 15 GOLD | 30 GOLD | 50 GOLD | A | B | PER ROW | TOTAL | 15 GOLD | 30 GOLD | 50 GOLD | A | B | | | | |
| 4 | 8 | 71973-0204 | 71973-0304 | 71973-0404 | .300 (7.62) | .395 (10.03) | 34 | 68 | 71973-0234 | 71973-0334 | 71973-0434 | 3.300 (83.82) | 3.395 (86.23) | | | | |
| 5 | 10 | 71973-0205 | 71973-0305 | 71973-0405 | .400 (10.16) | .495 (12.57) | 35 | 70 | 71973-0235 | 71973-0335 | 71973-0435 | 3.400 (86.36) | 3.495 (88.77) | | | | |
| 6 | 12 | 71973-0206 | 71973-0306 | 71973-0406 | .500 (12.70) | .595 (15.11) | 36 | 72 | 71973-0236 | 71973-0336 | 71973-0436 | 3.500 (88.90) | 3.595 (91.31) | | | | |
| 7 | 14 | 71973-0207 | 71973-0307 | 71973-0407 | .600 (15.24) | .695 (17.65) | | | | | | | | | | | |
| 8 | 16 | 71973-0208 | 71973-0308 | 71973-0408 | .700 (17.78) | .795 (20.19) | | | | | | | | | | | |
| 9 | 18 | 71973-0209 | 71973-0309 | 71973-0409 | .800 (20.32) | .895 (22.73) | | | | | | | | | | | |
| 10 | 20 | 71973-0210 | 71973-0310 | 71973-0410 | .900 (22.86) | .995 (25.27) | | | | | | | | | | | |
| 11 | 22 | 71973-0211 | 71973-0311 | 71973-0411 | 1.000 (25.40) | 1.095 (27.81) | | | | | | | | | | | |
| 12 | 24 | 71973-0212 | 71973-0312 | 71973-0412 | 1.100 (27.94) | 1.195 (30.35) | | | | | | | | | | | |
| 13 | 26 | 71973-0213 | 71973-0313 | 71973-0413 | 1.200 (30.48) | 1.295 (32.89) | | | | | | | | | | | |
| 14 | 28 | 71973-0214 | 71973-0314 | 71973-0414 | 1.300 (33.02) | 1.395 (35.43) | | | | | | | | | | | |
| 15 | 30 | 71973-0215 | 71973-0315 | 71973-0415 | 1.400 (35.56) | 1.495 (37.97) | | | | | | | | | | | |
| 16 | 32 | 71973-0216 | 71973-0316 | 71973-0416 | 1.500 (38.10) | 1.595 (40.51) | | | | | | | | | | | |
| 17 | 34 | 71973-0217 | 71973-0317 | 71973-0417 | 1.600 (40.64) | 1.695 (43.05) | | | | | | | | | | | |
| 18 | 36 | 71973-0218 | 71973-0318 | 71973-0418 | 1.700 (43.18) | 1.795 (45.59) | | | | | | | | | | | |
| 19 | 38 | 71973-0219 | 71973-0319 | 71973-0419 | 1.800 (45.72) | 1.895 (48.13) | | | | | | | | | | | |
| 20 | 40 | 71973-0220 | 71973-0320 | 71973-0420 | 1.900 (48.26) | 1.995 (50.67) | | | | | | | | | | | |
| 21 | 42 | 71973-0221 | 71973-0321 | 71973-0421 | 2.000 (50.80) | 2.095 (53.21) | | | | | | | | | | | |
| 22 | 44 | 71973-0222 | 71973-0322 | 71973-0422 | 2.100 (53.34) | 2.195 (55.75) | | | | | | | | | | | |
| 23 | 46 | 71973-0223 | 71973-0323 | 71973-0423 | 2.200 (55.88) | 2.295 (58.29) | | | | | | | | | | | |
| 24 | 48 | 71973-0224 | 71973-0324 | 71973-0424 | 2.300 (58.42) | 2.395 (60.83) | | | | | | | | | | | |
| 25 | 50 | 71973-0225 | 71973-0325 | 71973-0425 | 2.400 (60.96) | 2.495 (63.37) | | | | | | | | | | | |
| 26 | 52 | 71973-0226 | 71973-0326 | 71973-0426 | 2.500 (63.50) | 2.595 (65.91) | | | | | | | | | | | |
| 27 | 54 | 71973-0227 | 71973-0327 | 71973-0427 | 2.600 (66.04) | 2.695 (68.45) | | | | | | | | | | | |
| 28 | 56 | 71973-0228 | 71973-0328 | 71973-0428 | 2.700 (68.58) | 2.795 (70.99) | | | | | | | | | | | |
| 29 | 58 | 71973-0229 | 71973-0329 | 71973-0429 | 2.800 (71.12) | 2.895 (73.53) | | | | | | | | | | | |
| 30 | 60 | 71973-0230 | 71973-0330 | 71973-0430 | 2.900 (73.66) | 2.995 (76.07) | | | | | | | | | | | |
| 31 | 62 | 71973-0231 | 71973-0331 | 71973-0431 | 3.000 (76.20) | 3.095 (78.61) | | | | | | | | | | | |
| 32 | 64 | 71973-0232 | 71973-0332 | 71973-0432 | 3.100 (78.74) | 3.195 (81.15) | | | | | | | | | | | |
| 33 | 66 | 71973-0233 | 71973-0333 | 71973-0433 | 3.200 (81.28) | 3.295 (83.69) | | | | | | | | | | | |

"X" INDICATES TOOLING IS NOT AVAILABLE

REMOVE 74-130 CKT
 EC NO: UCP2007-0113
 DRAWN: JORGAN 2006/08/07
 CHKD: MS BARRA 2006/08/16
 APPR: SMILLER 2006/08/18

QUALITY SYMBOLS
 = 0
 = 0

GENERAL TOLERANCES (UNLESS SPECIFIED)

| | mm | INCH |
|----------|--------|---------|
| 4 PLACES | ± .005 | ± .0005 |
| 3 PLACES | ± .005 | ± .0005 |
| 2 PLACES | ± .005 | ± .0005 |
| 1 PLACE | ± .005 | ± .0005 |

ANGULAR ±1/2°
 DRAFT WHERE APPLICABLE
 MUST REMAIN WITHIN DIMENSIONS

DIMENSION STYLE
 IN/MM


DRAWN BY DATE
 DJB 1991/10/21
 CHECKED BY DATE
 APPROVED BY DATE

SCALE

DESIGN UNITS
 INCH

THIRD ANGLE PROJECTION

RECEPTACLE-RIGHT ANGLE
 .120 PC TAIL, NO PINSTOP
 .100/(2.54) GRID

 MOLEX INCORPORATED

MATERIAL NO. DOCUMENT NO. SHEET NO.
 SEE CHART SDA-71973-**** 6 OF 22
 THIS DRAWING CONTAINS INFORMATION THAT IS PROPRIETARY TO MOLEX
 INCORPORATED AND SHOULD NOT BE USED WITHOUT WRITTEN PERMISSION